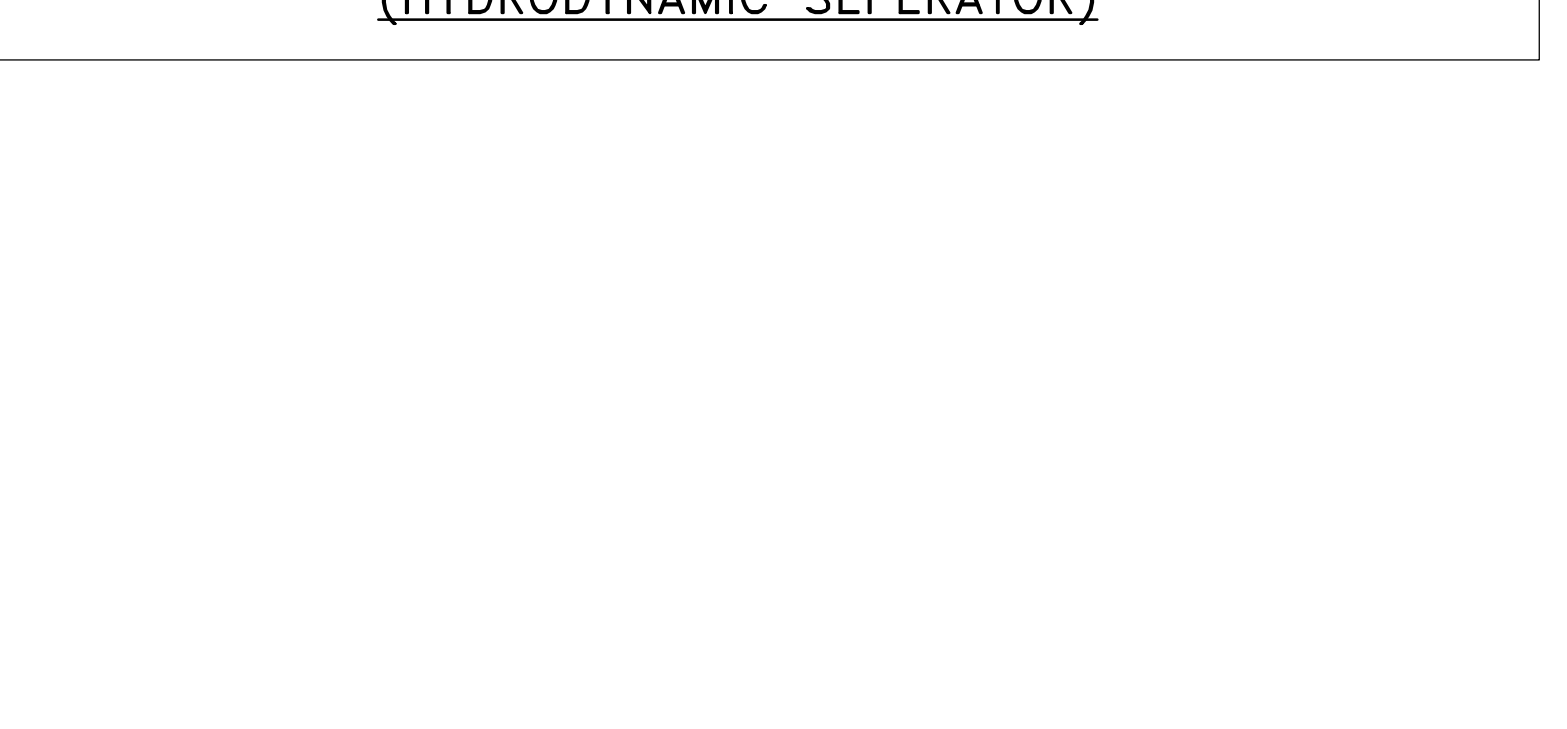
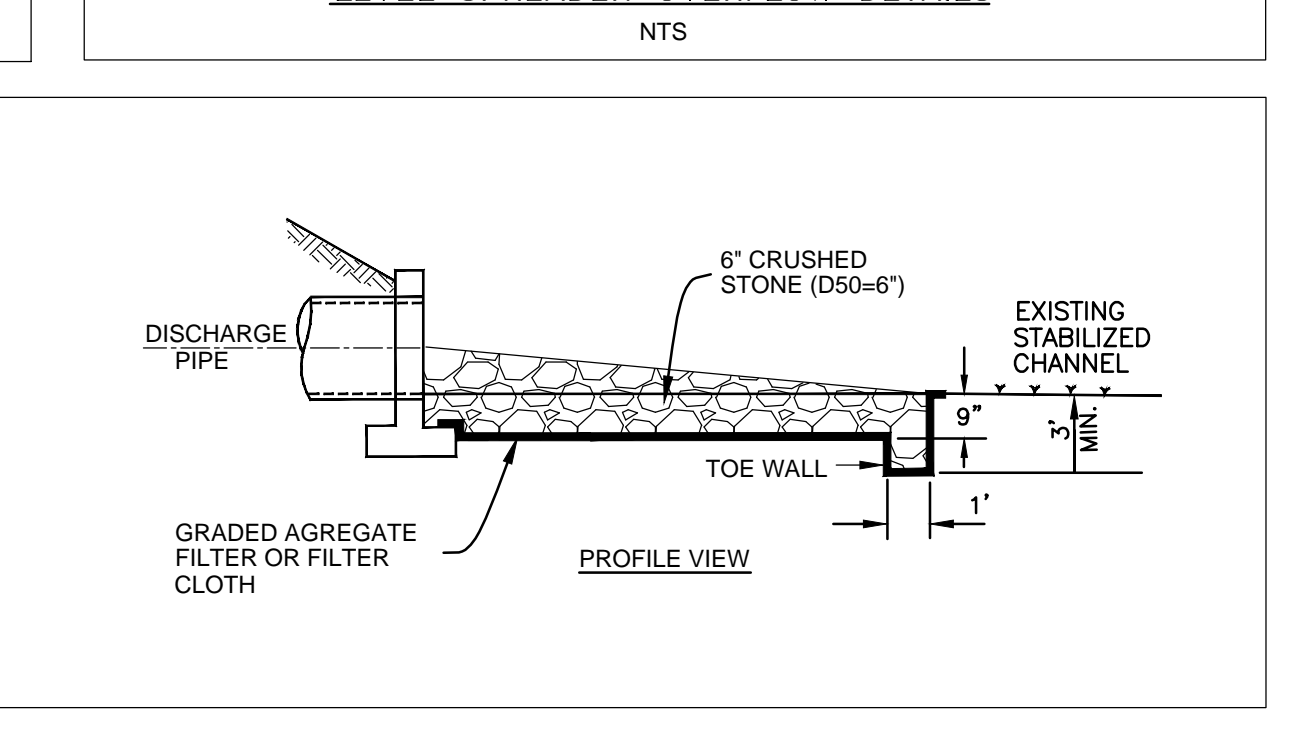
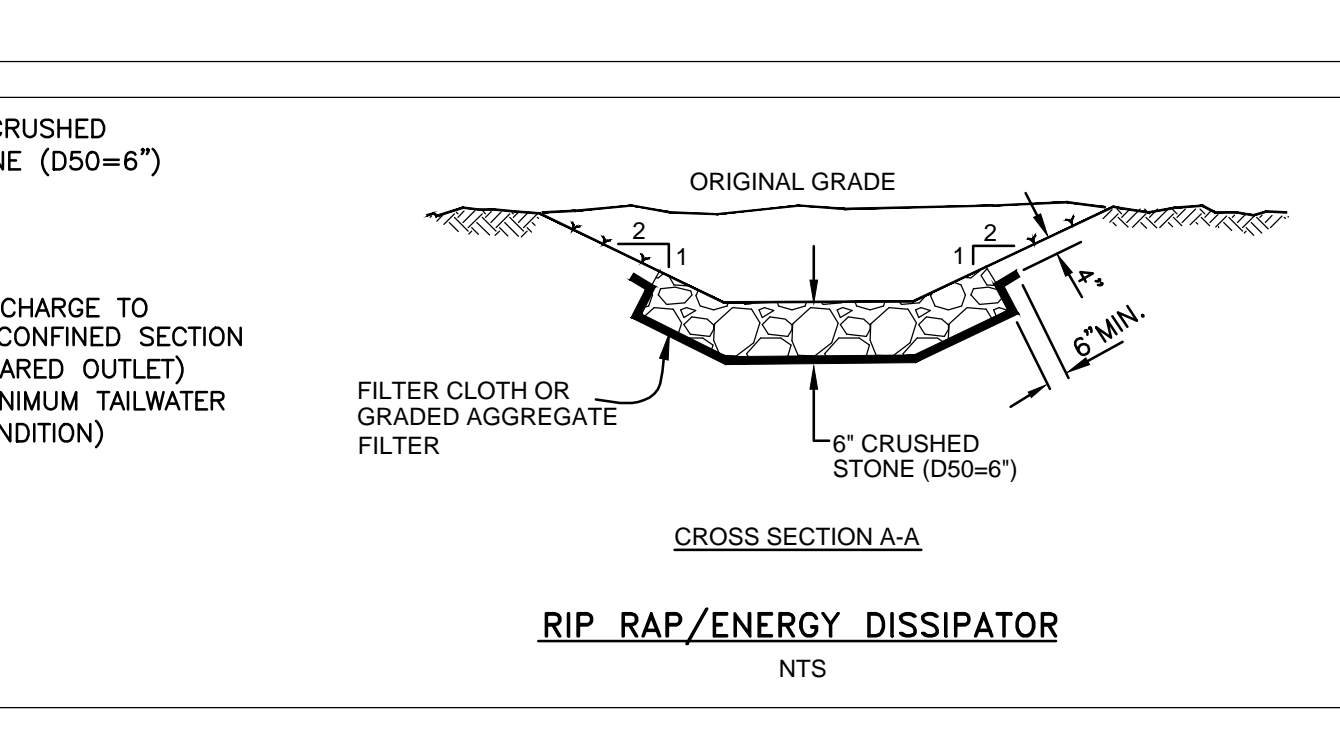
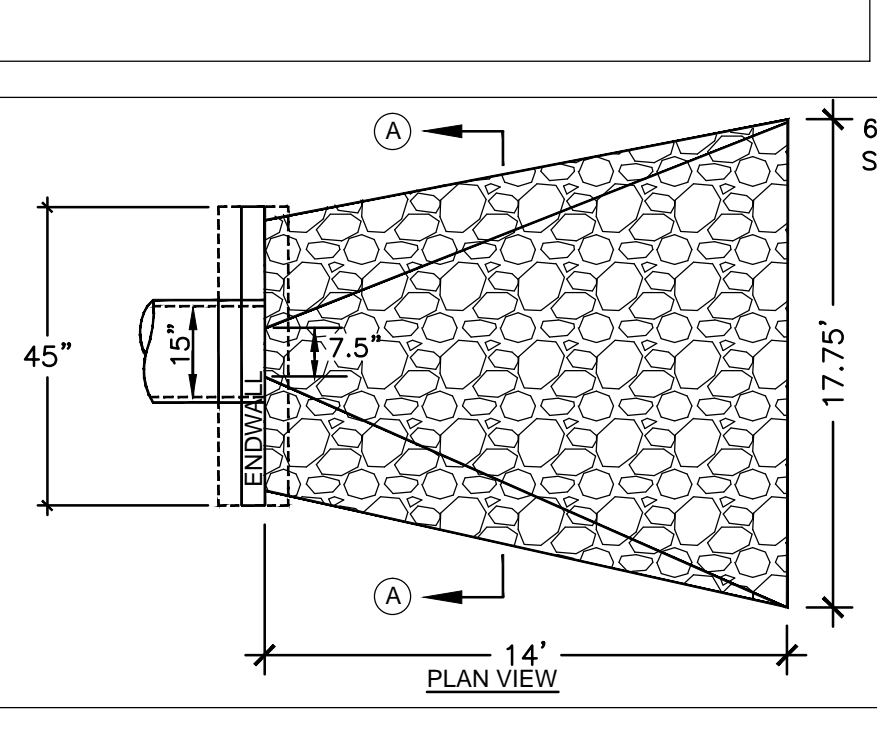
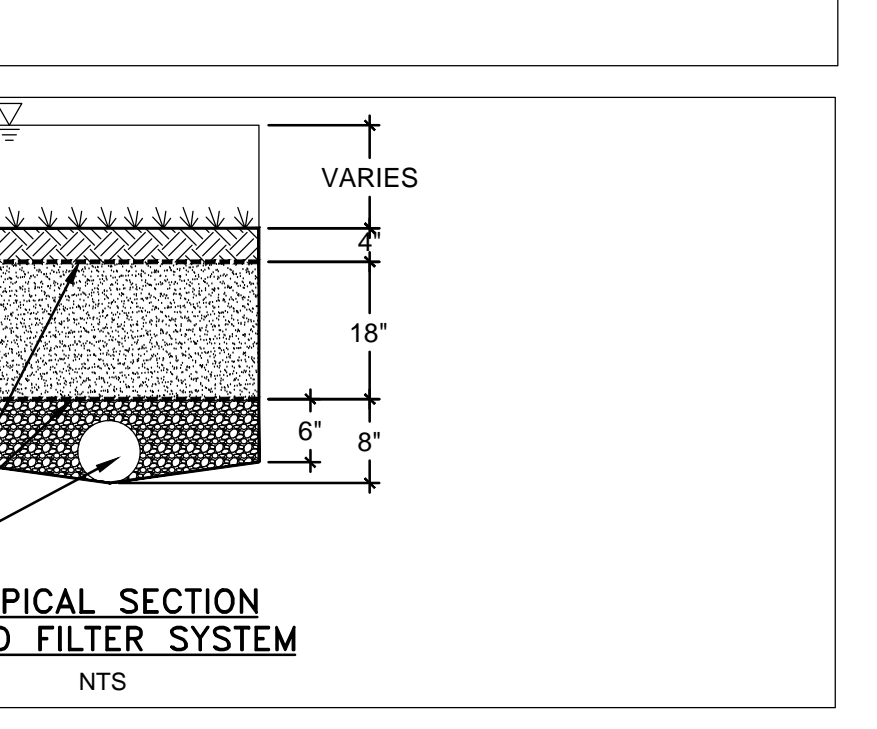
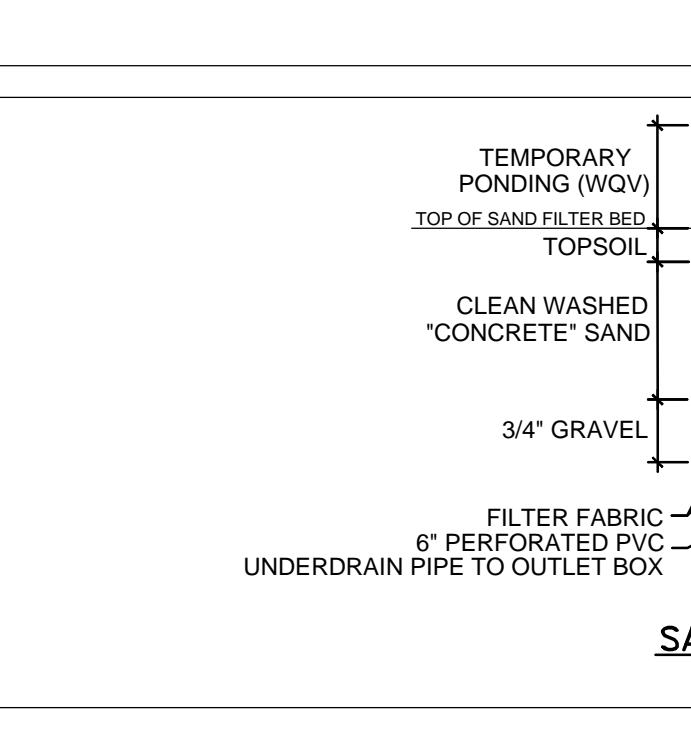
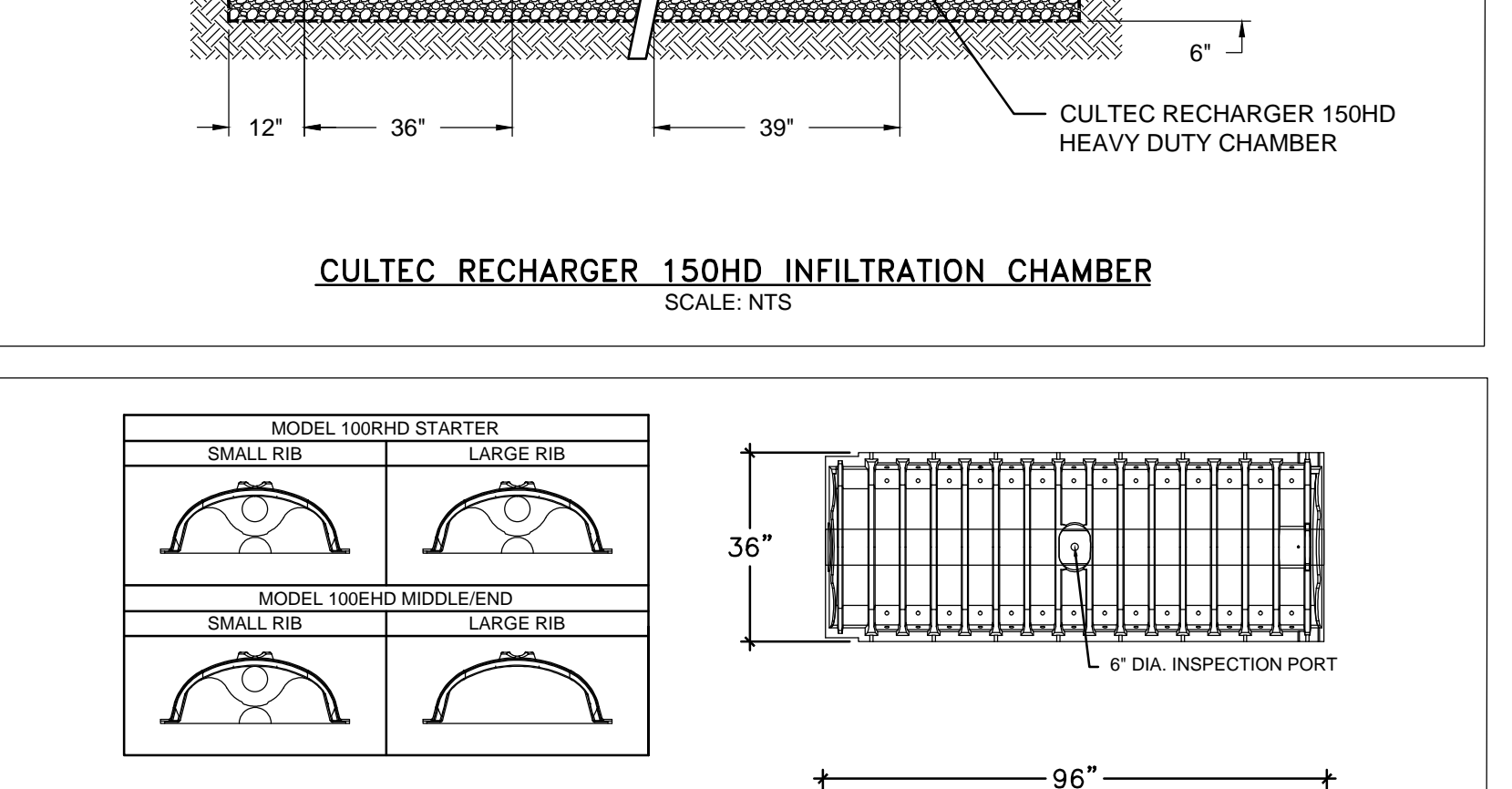
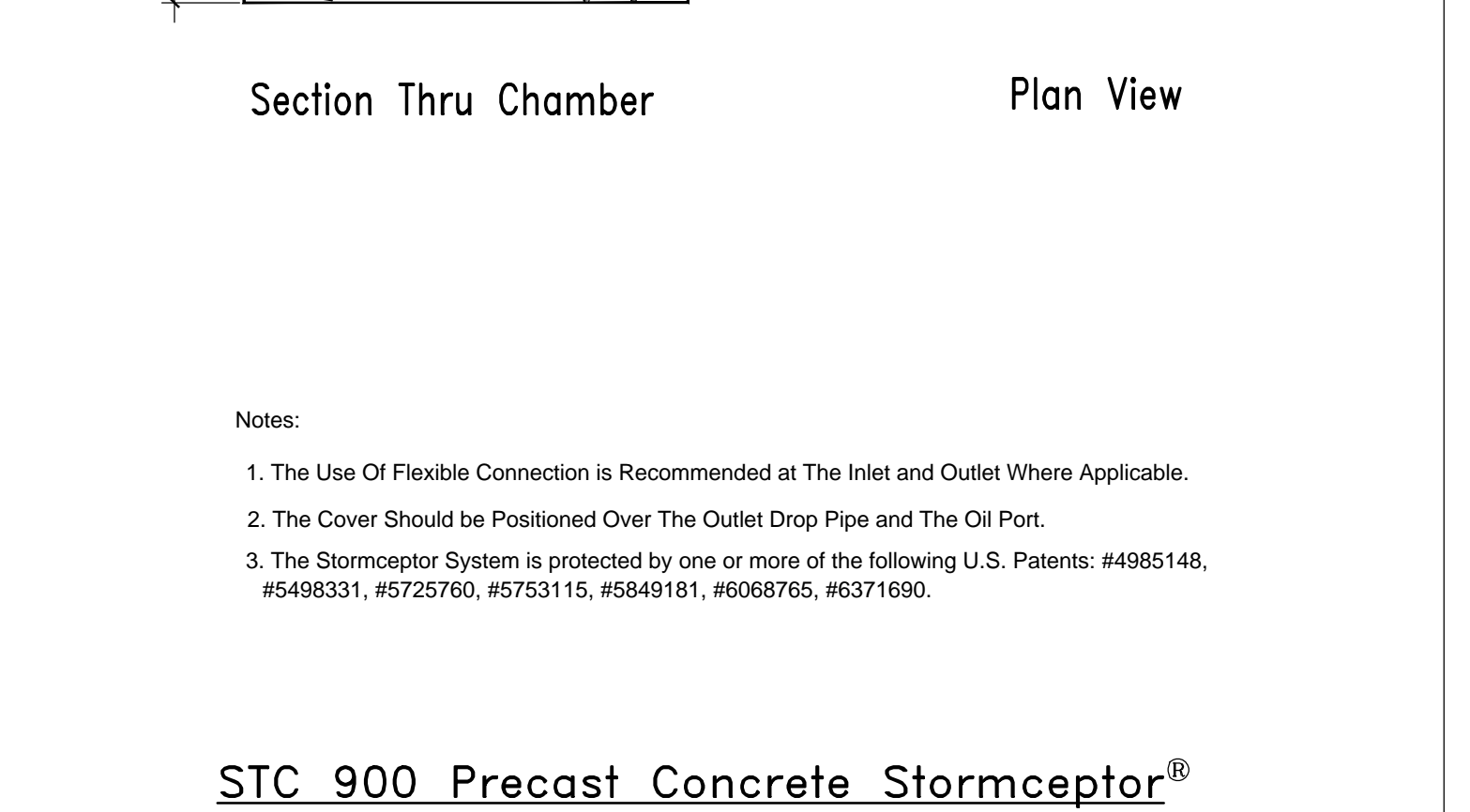
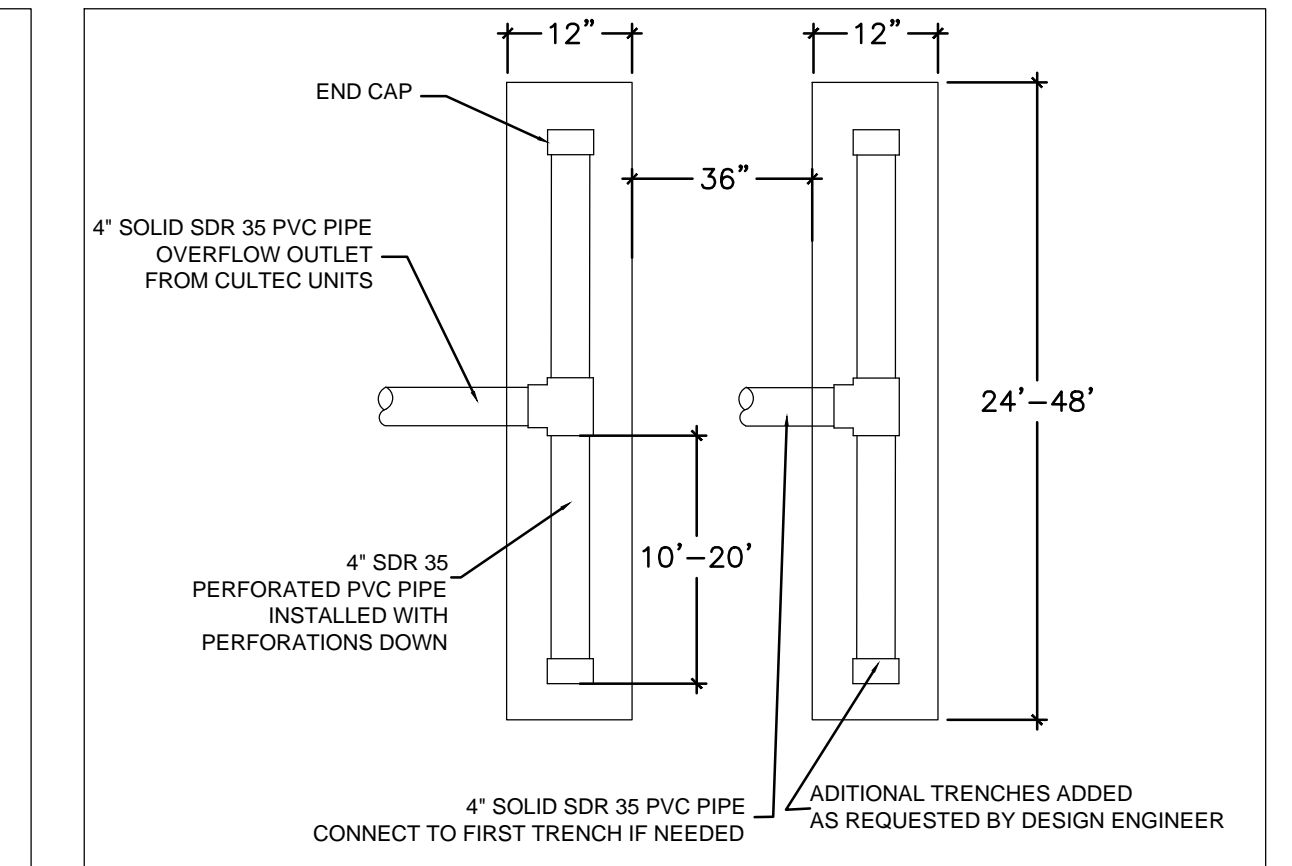
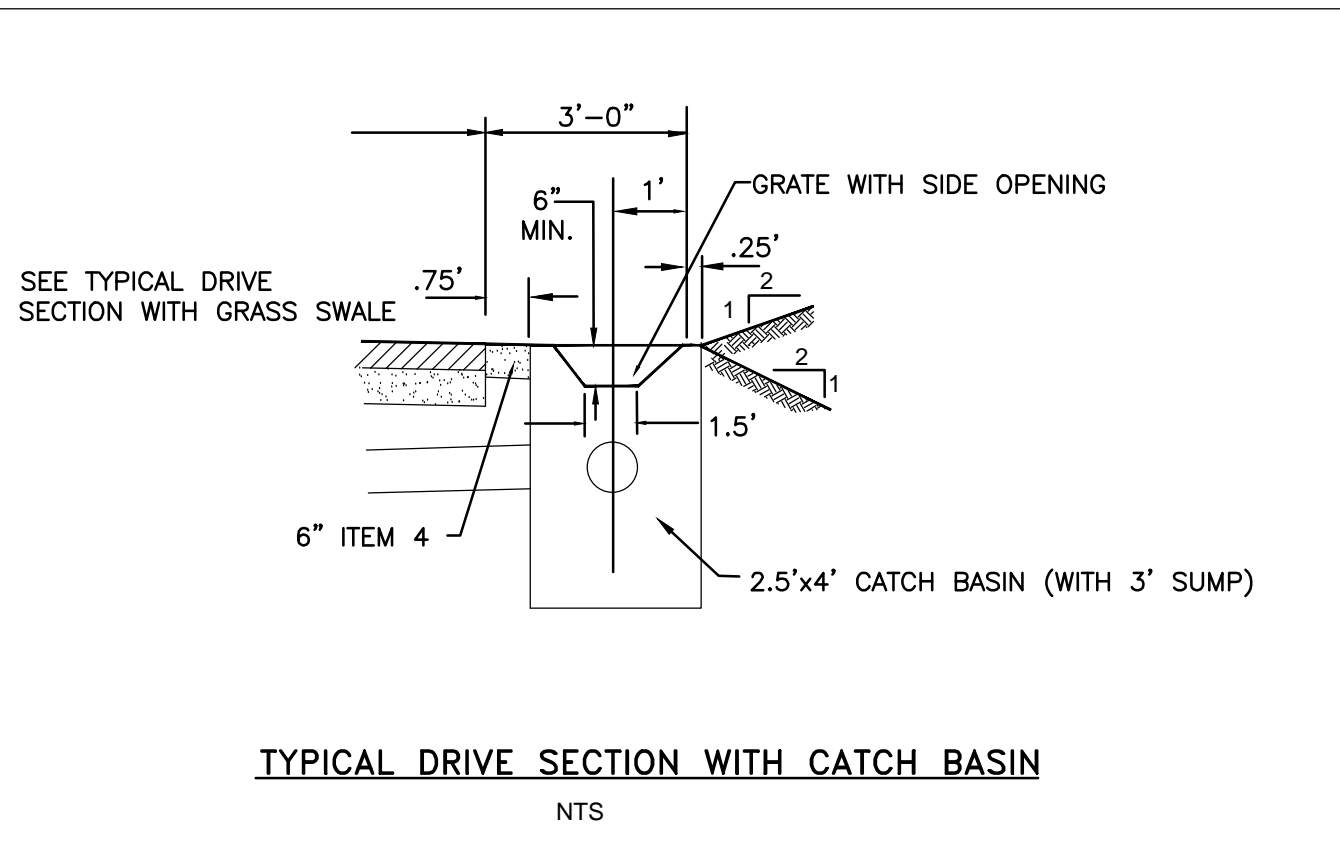
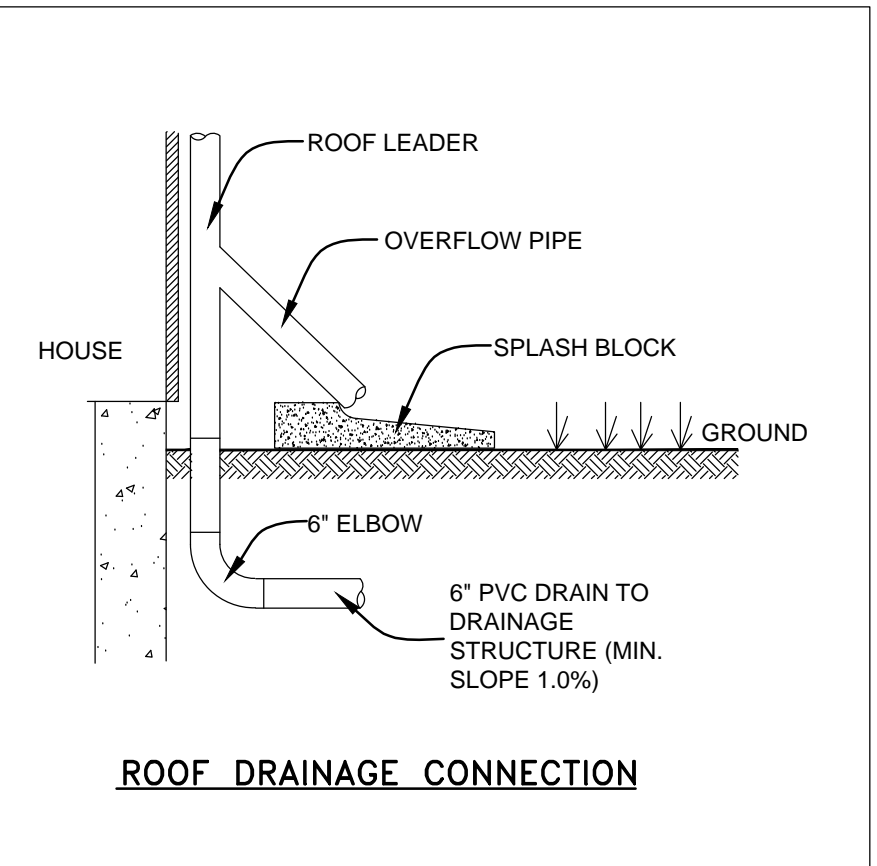
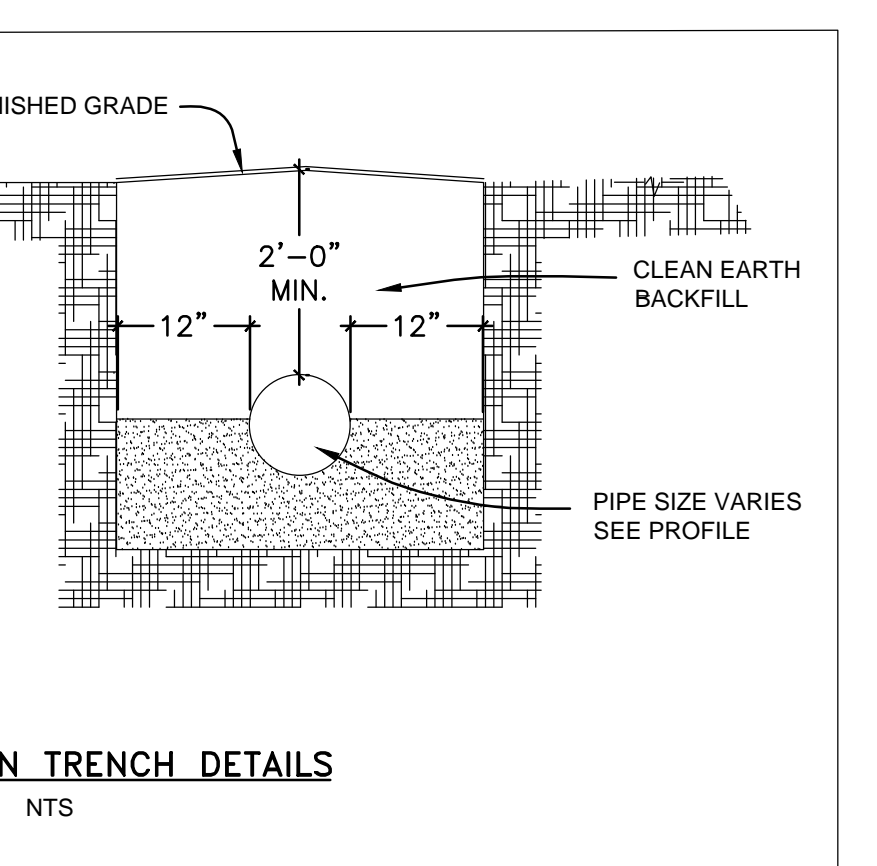
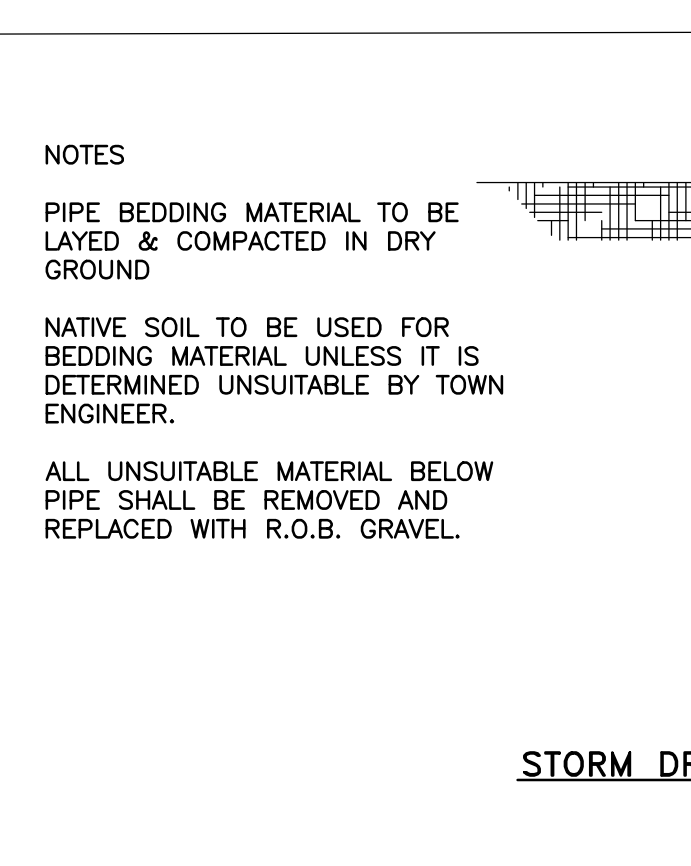
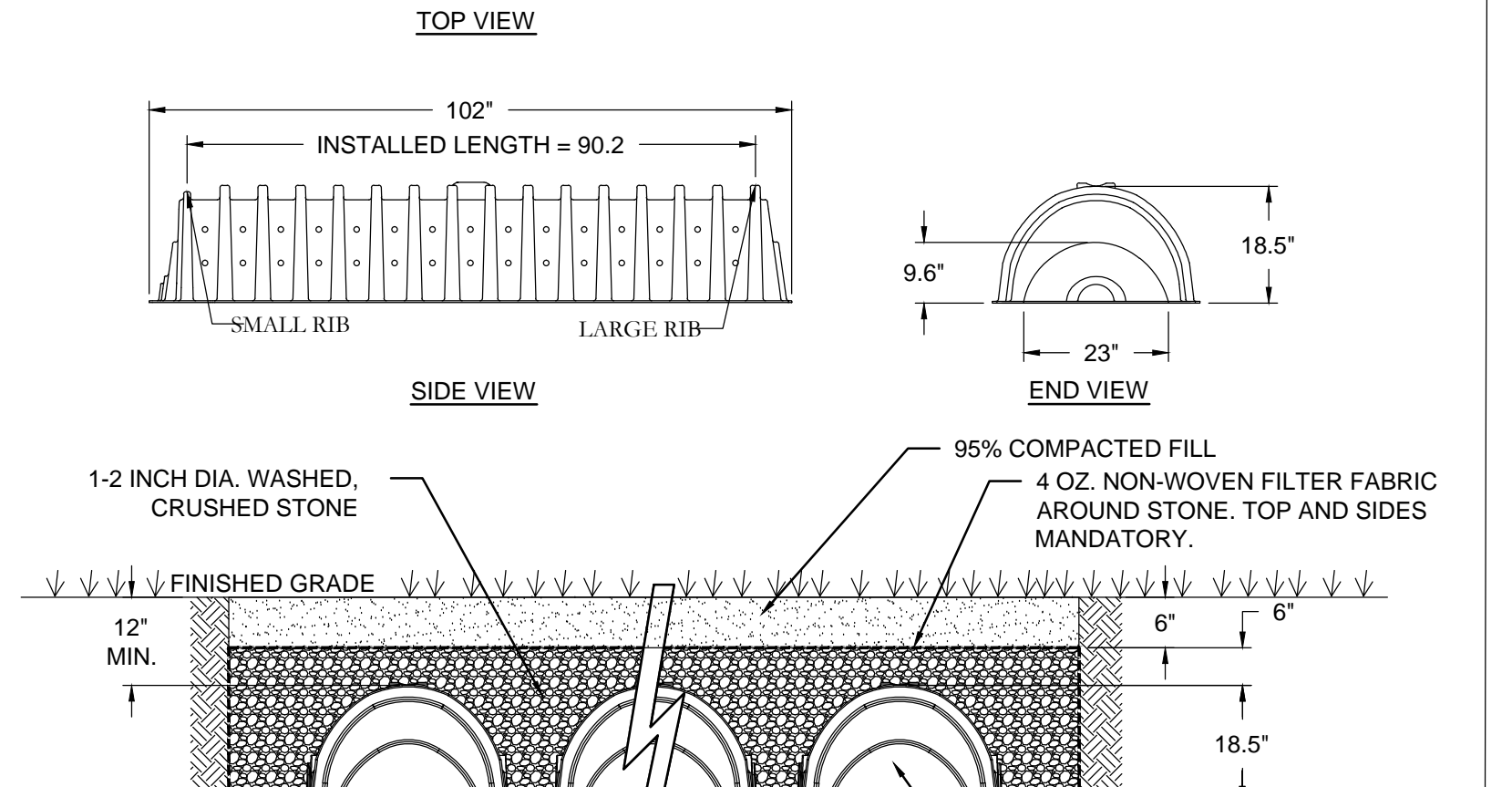
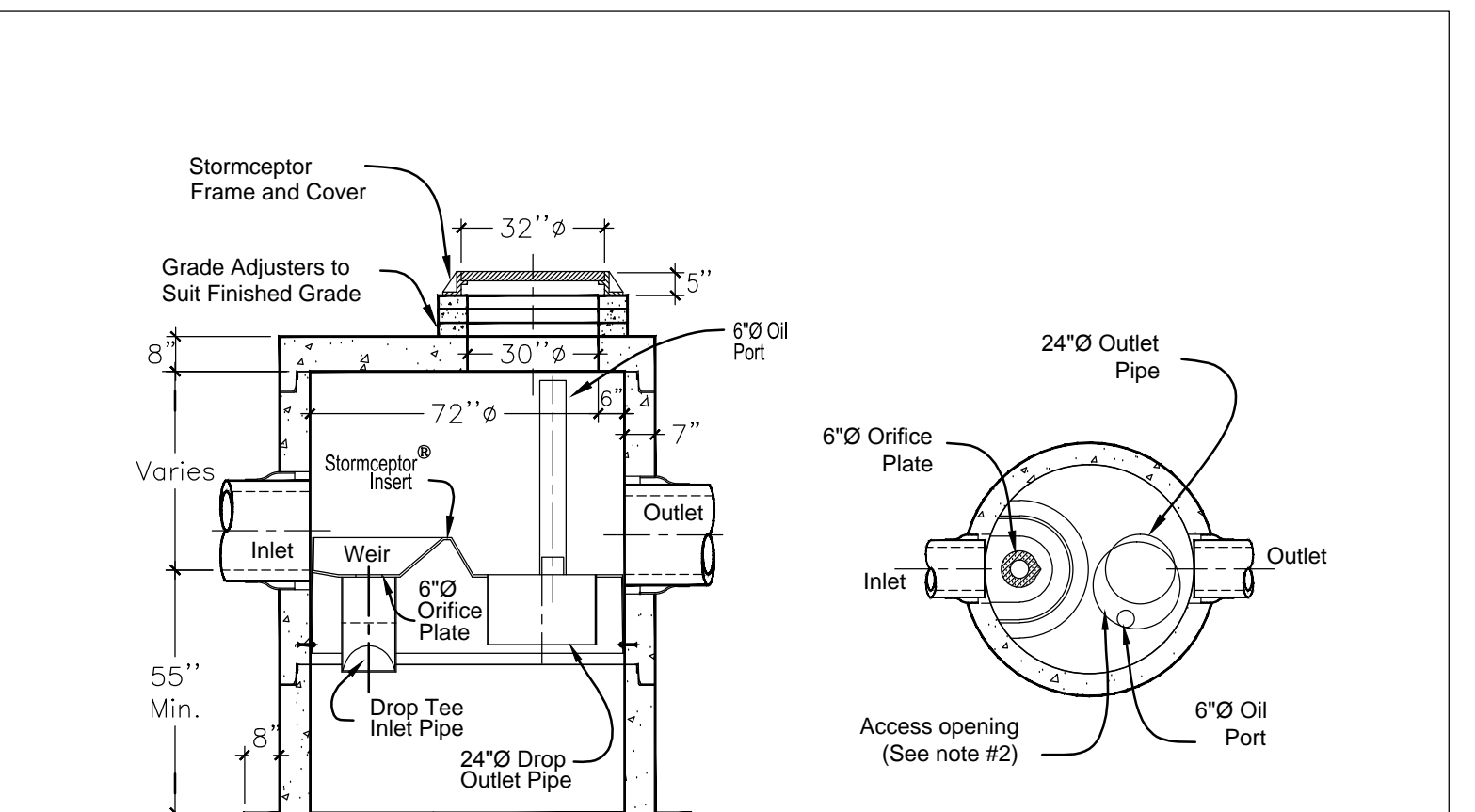
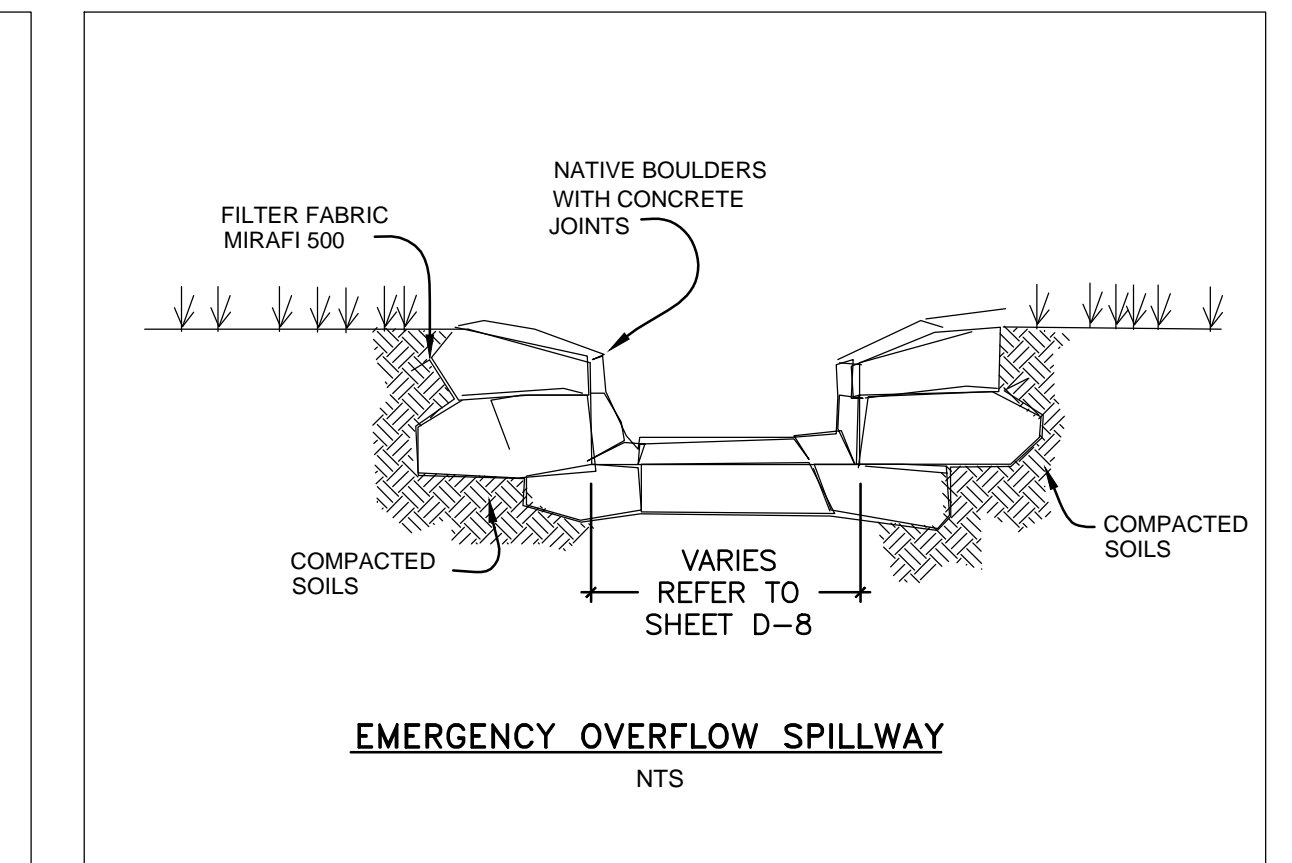
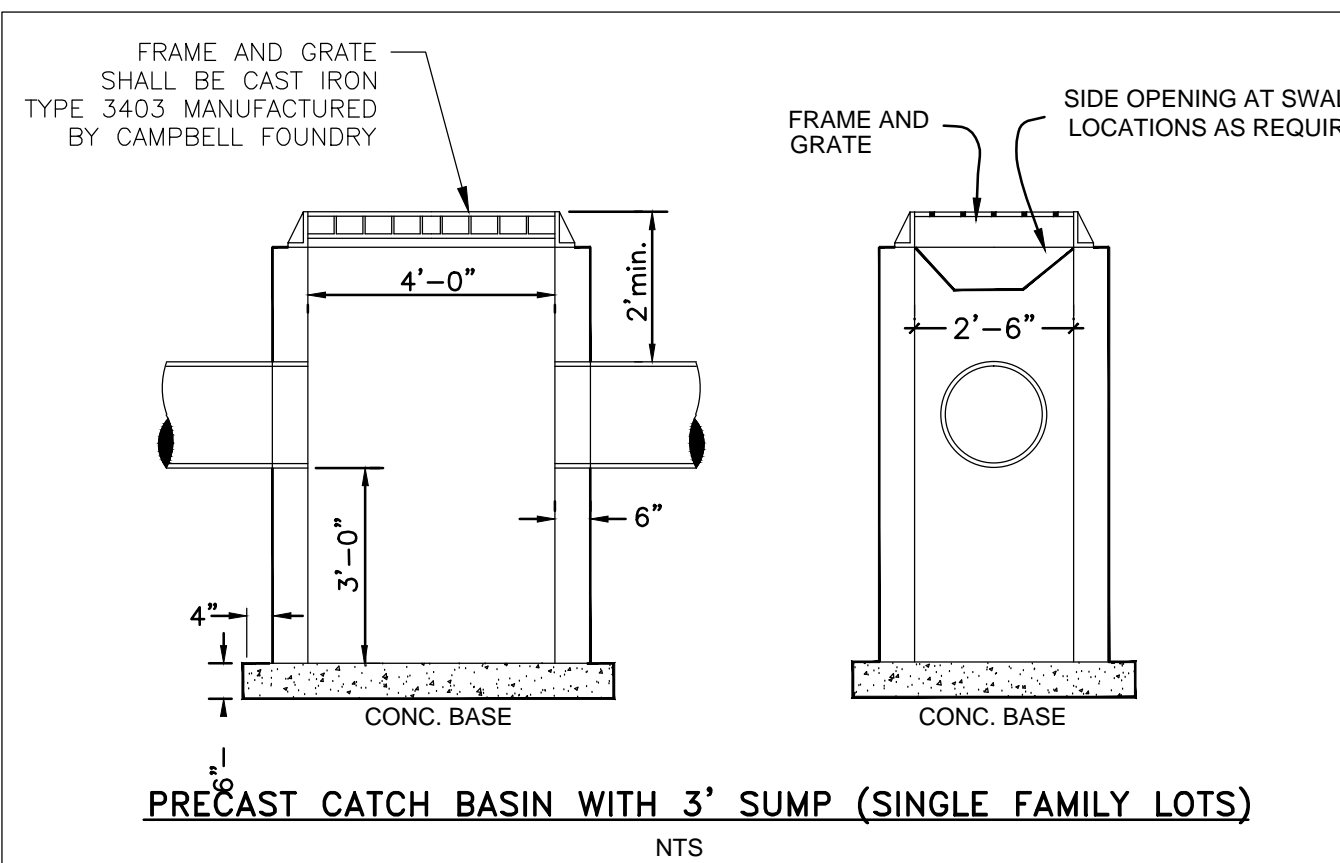
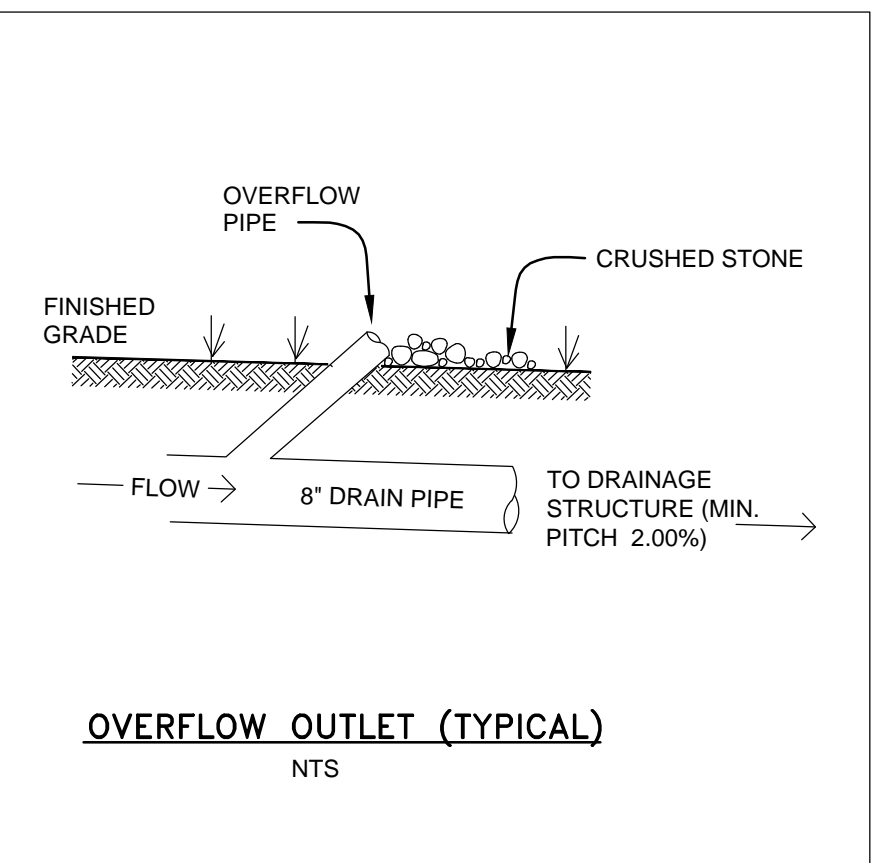
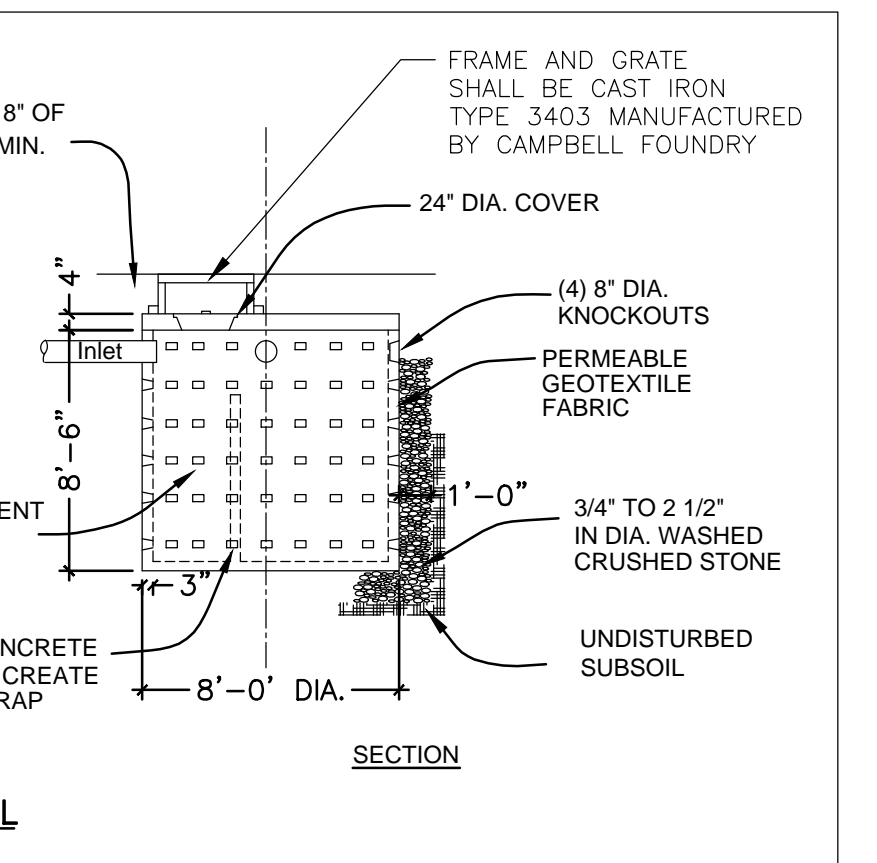
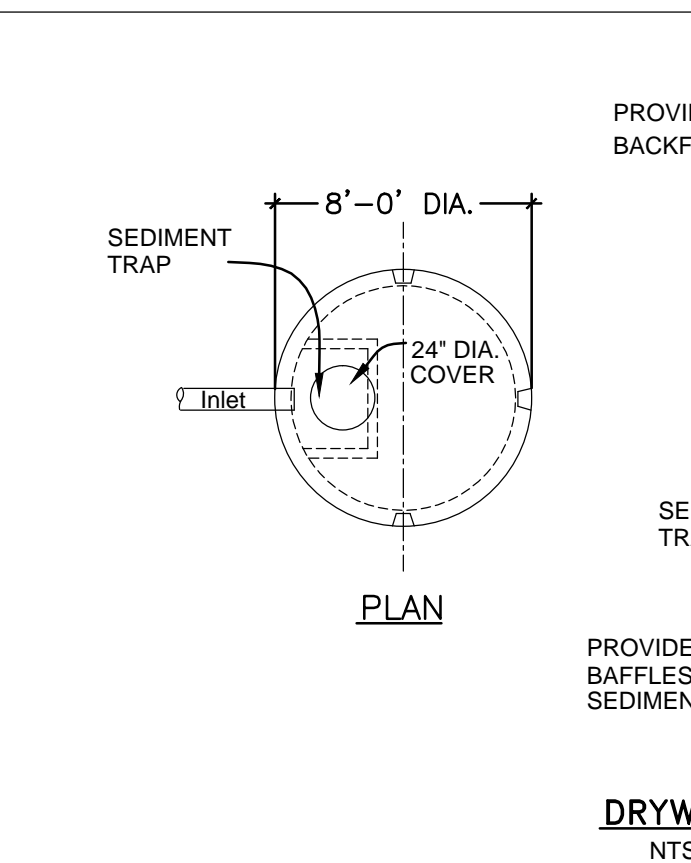
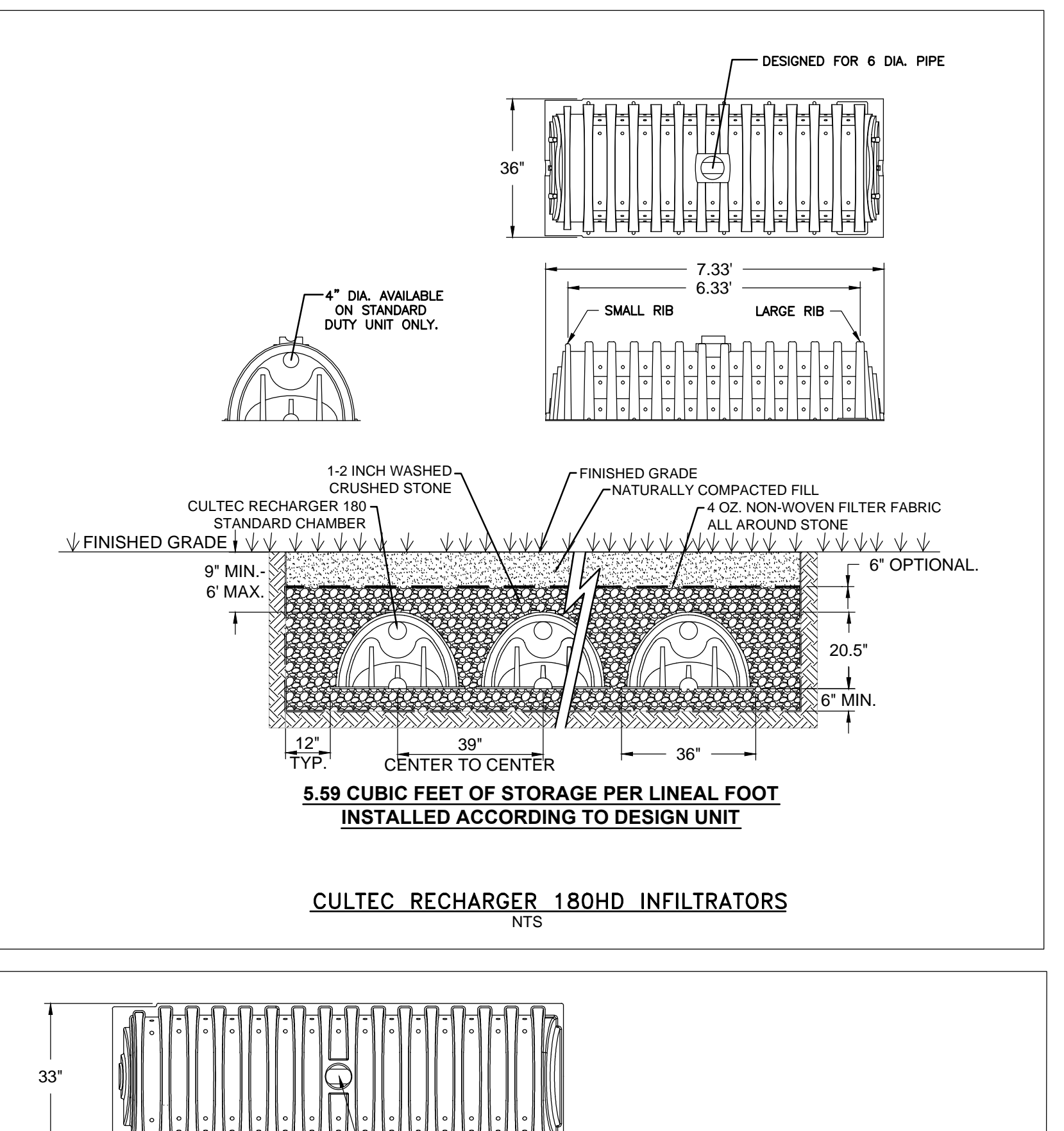
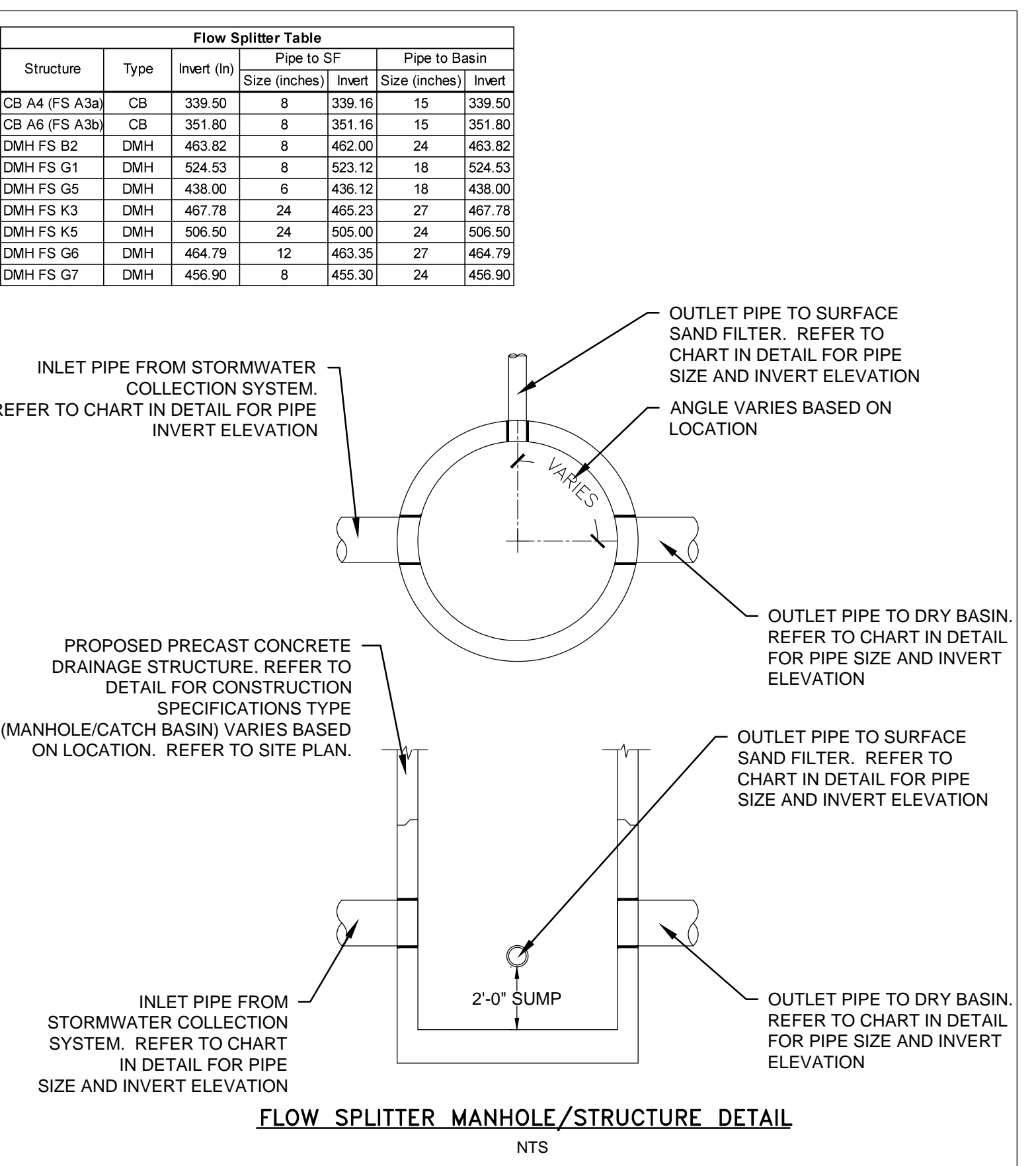
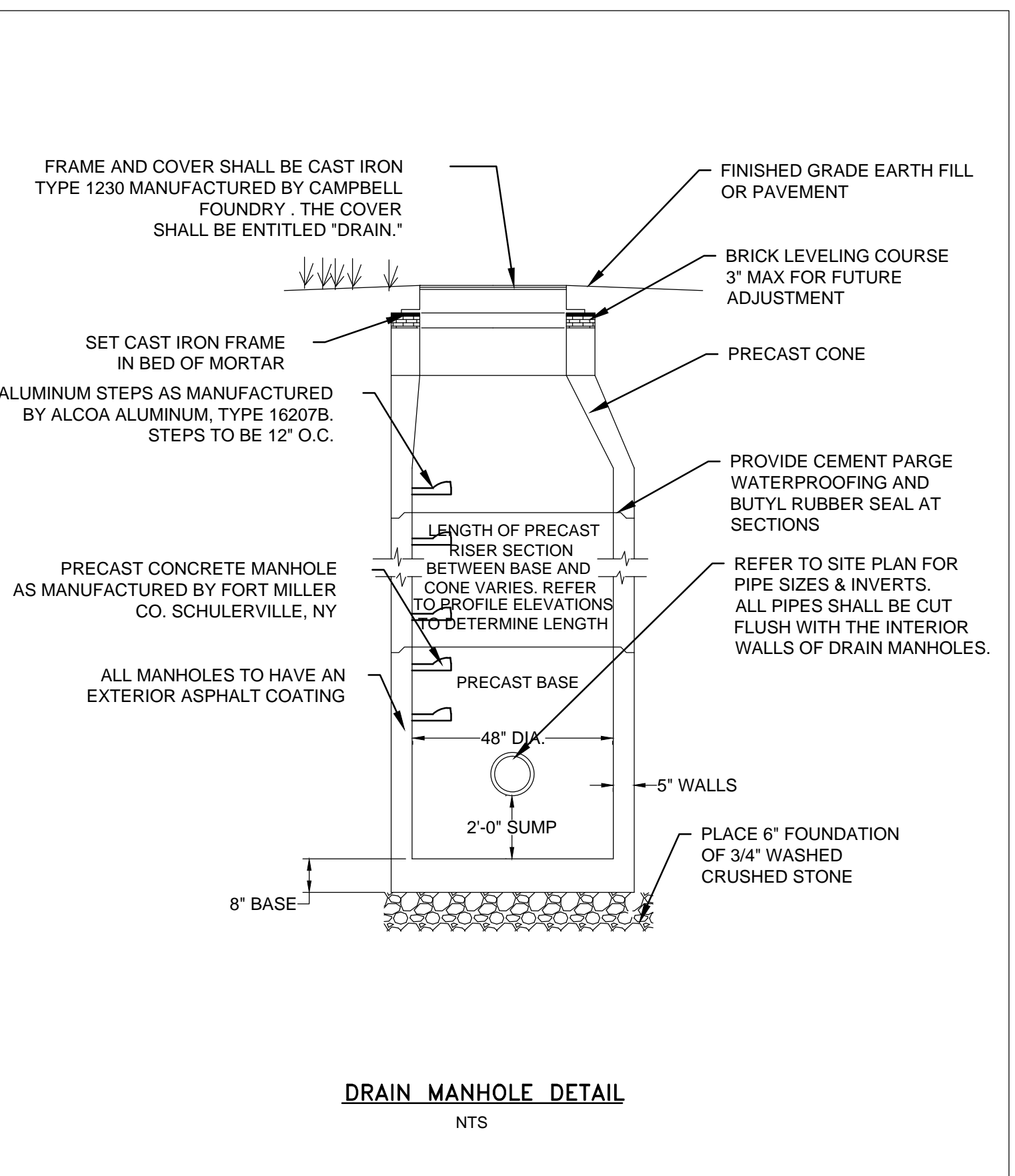
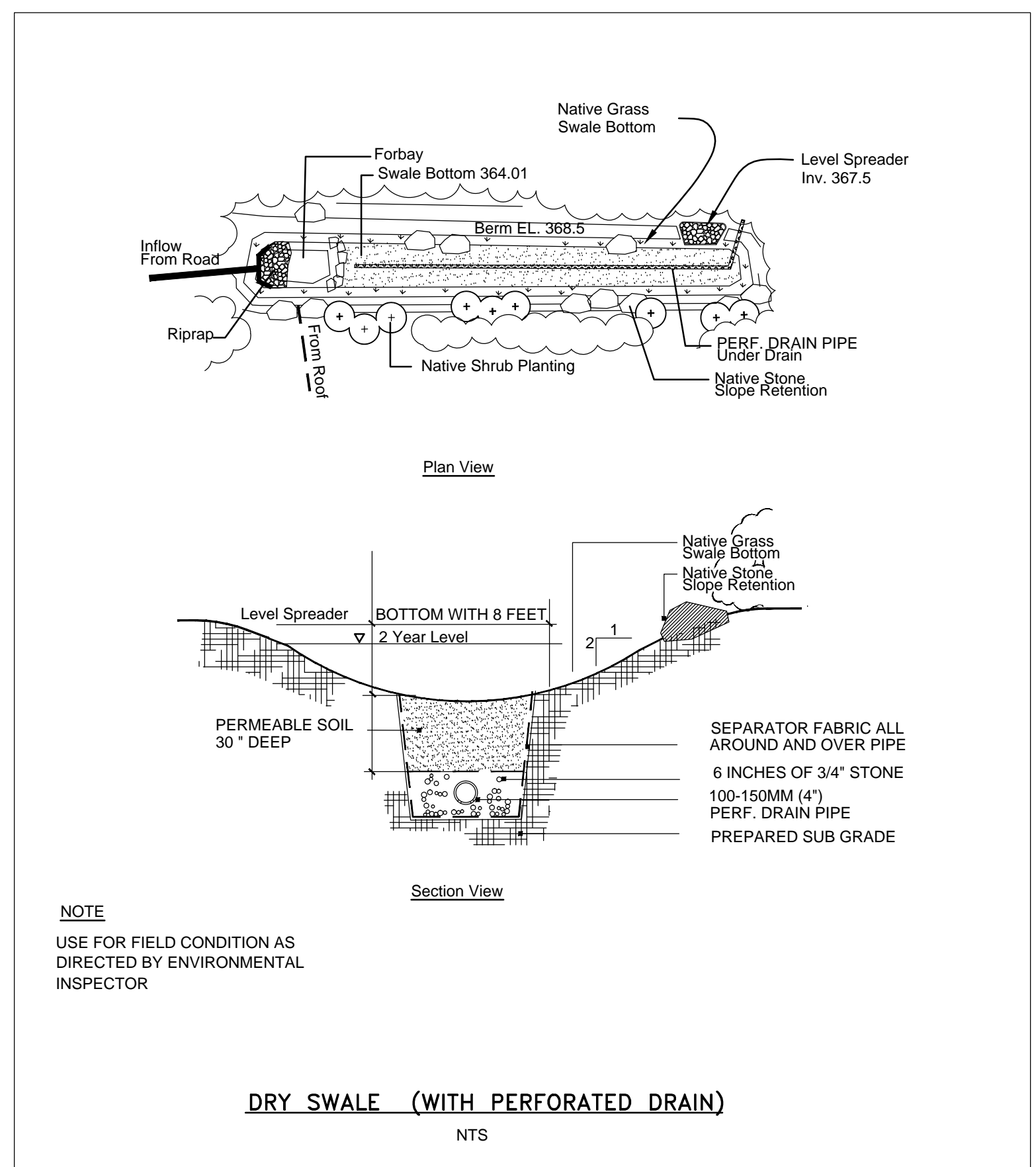
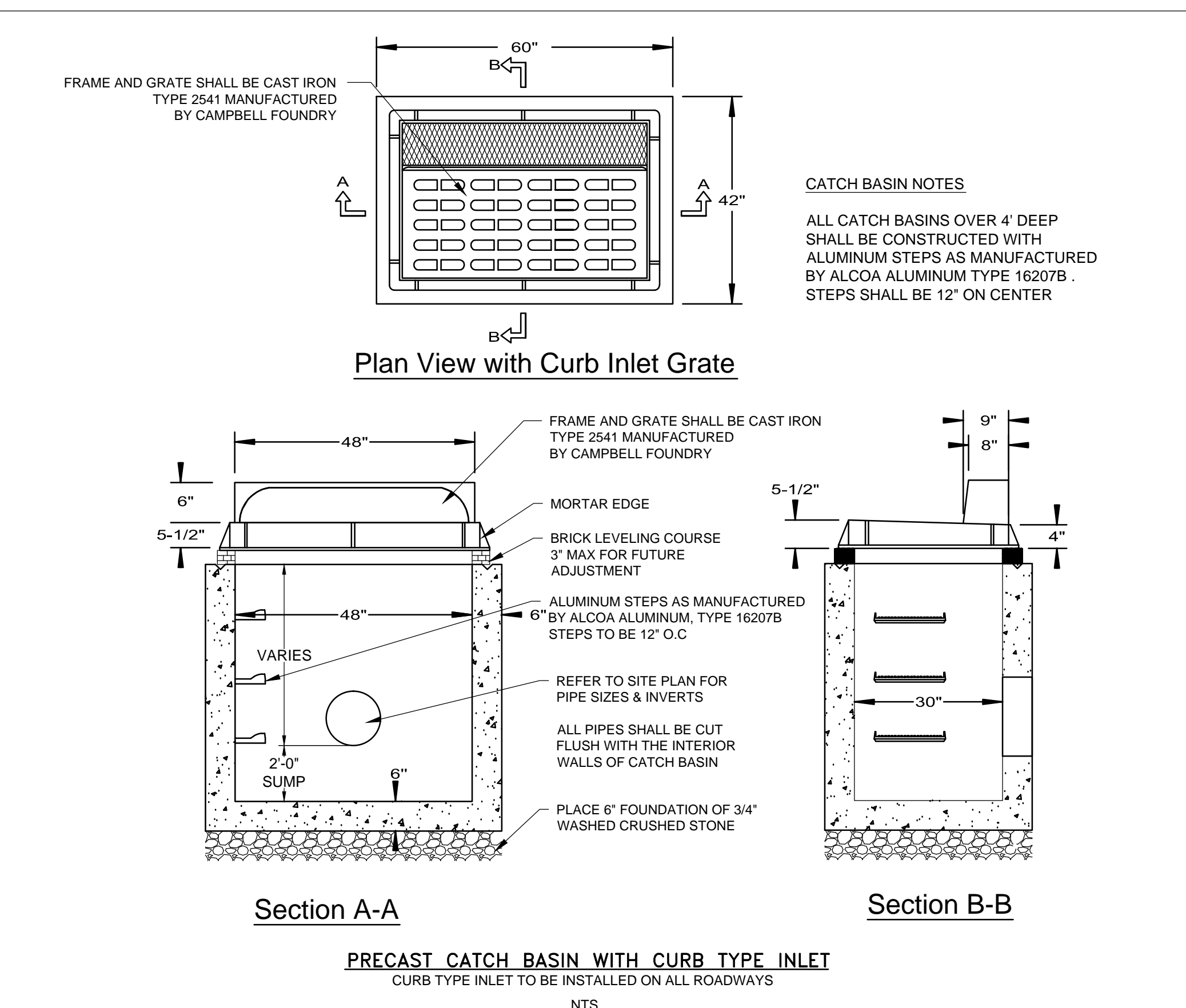
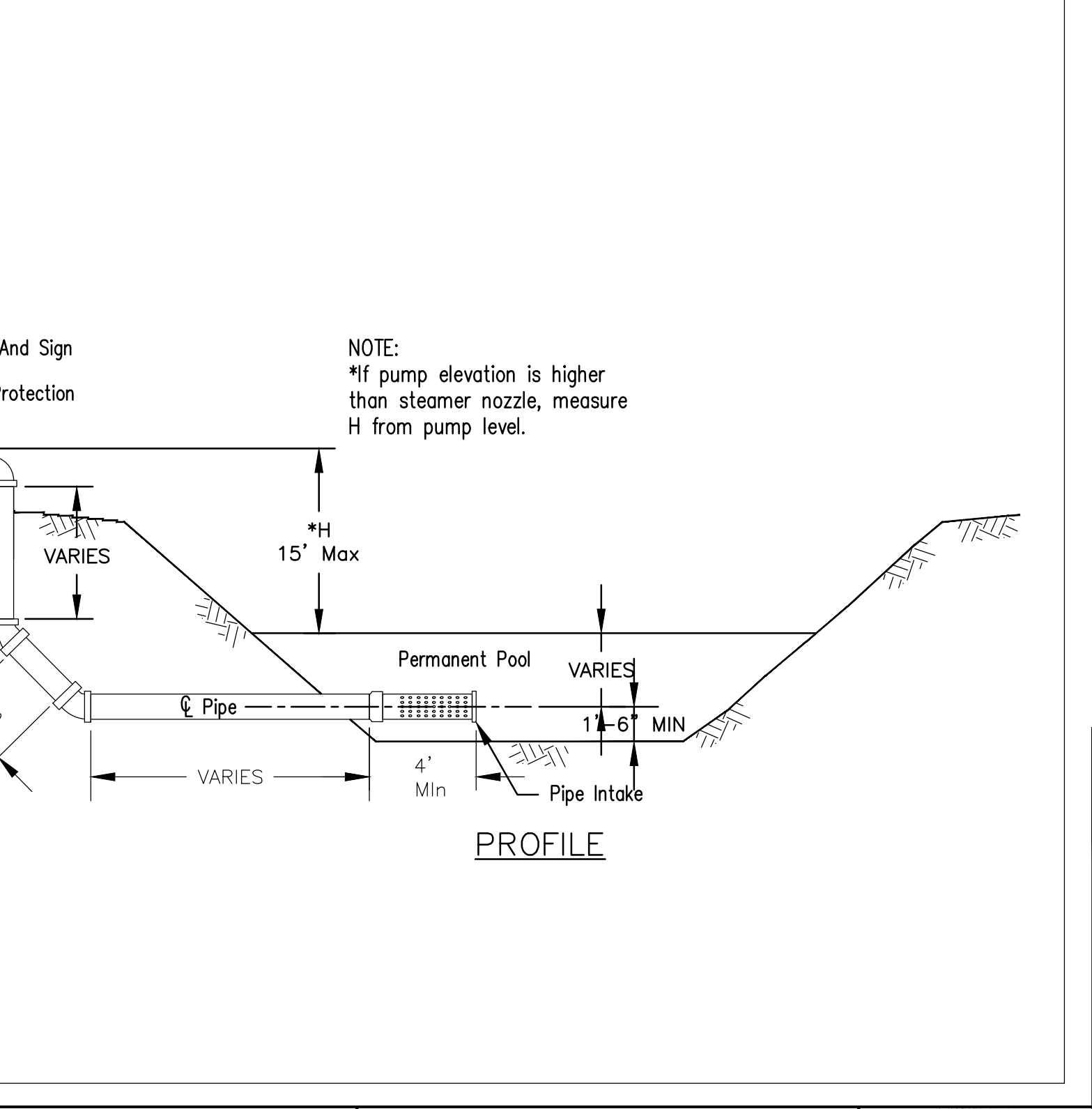
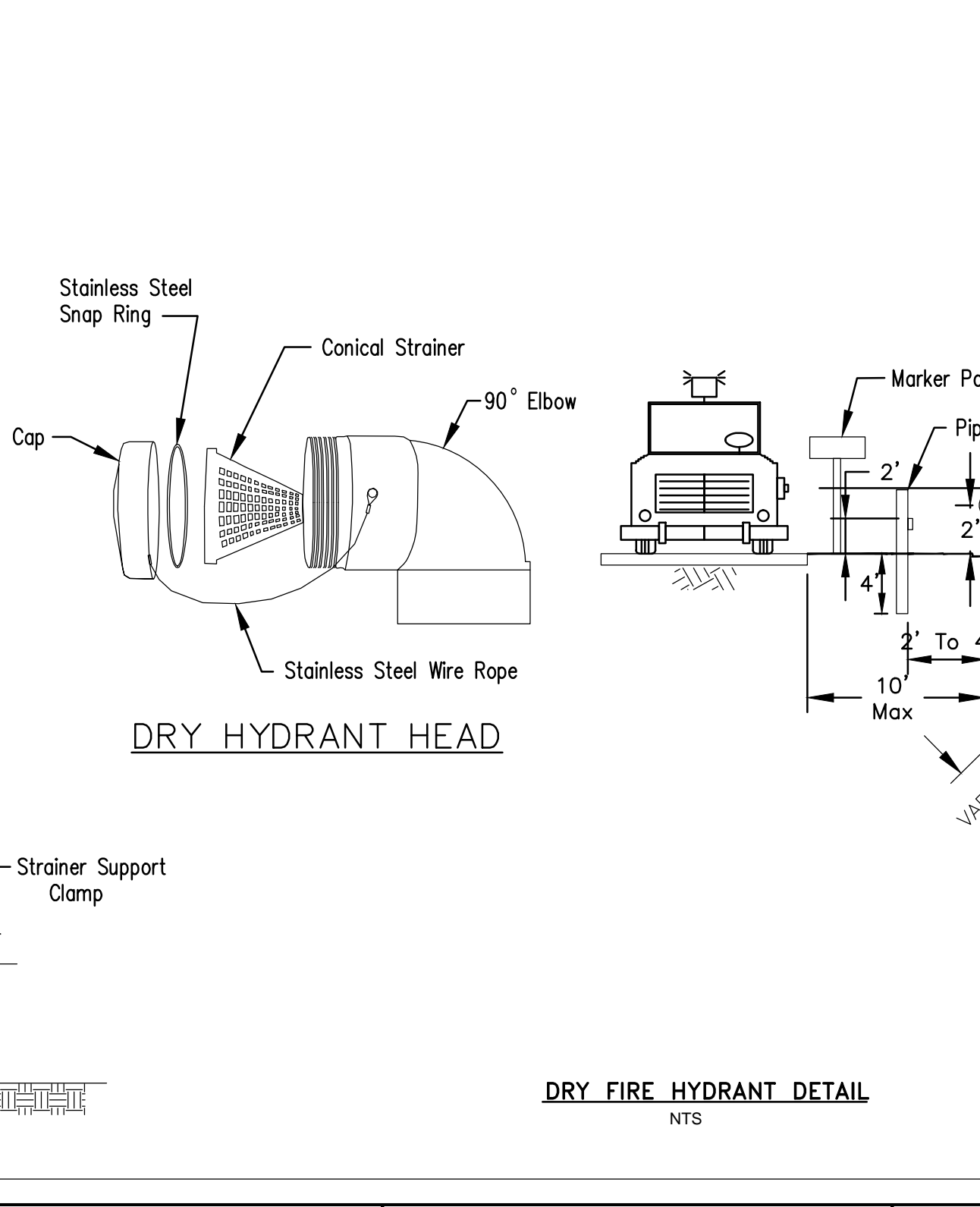
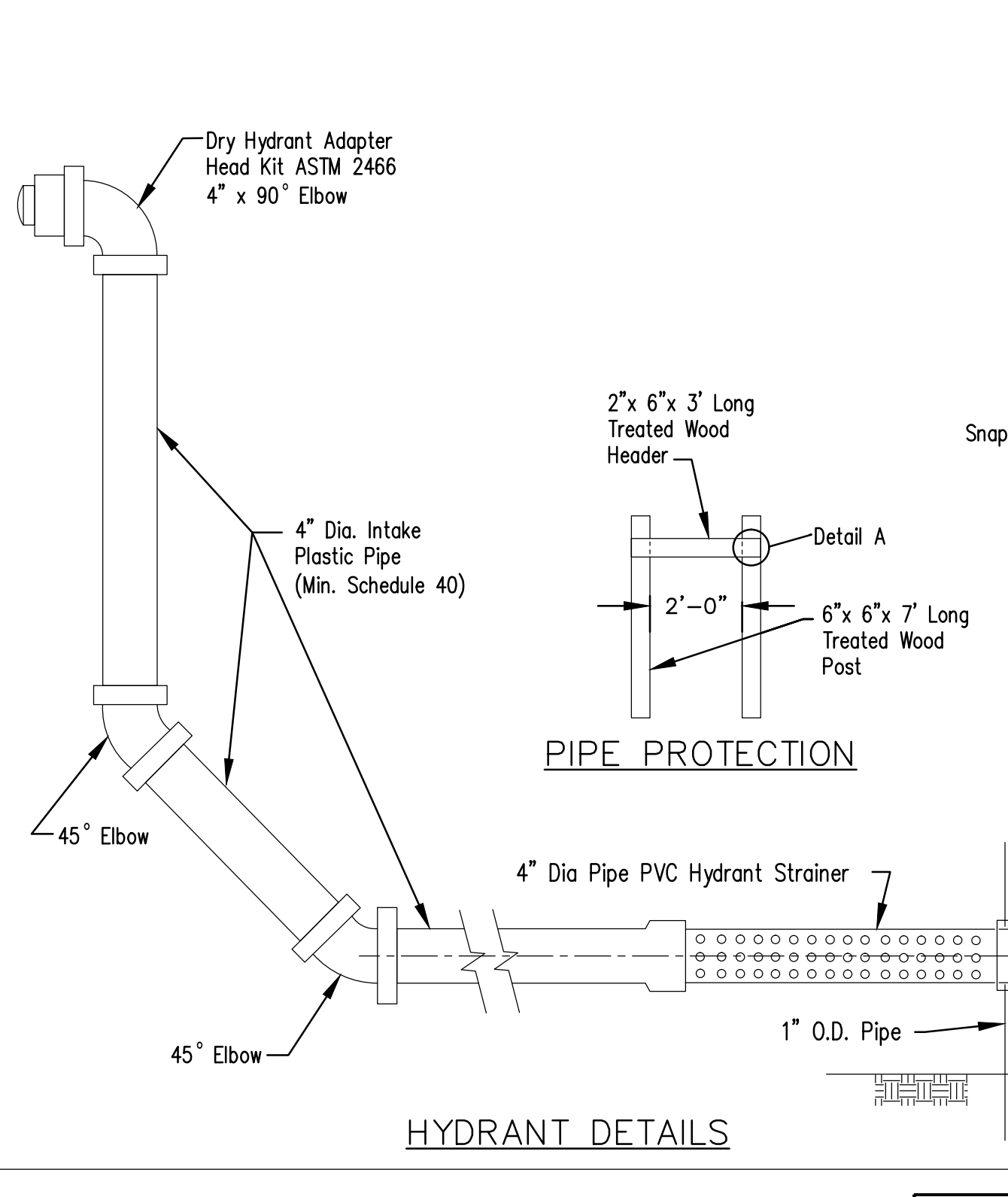
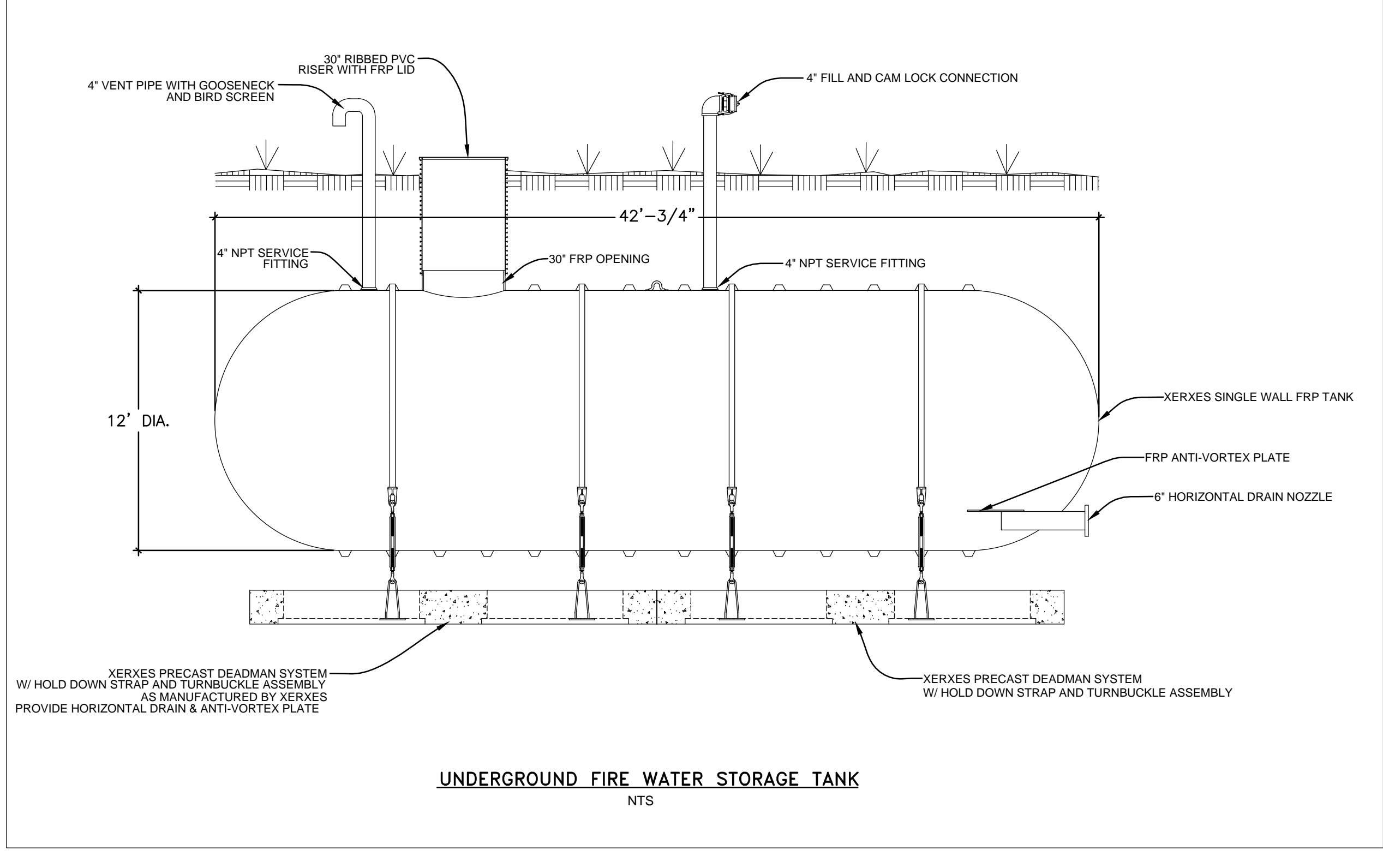


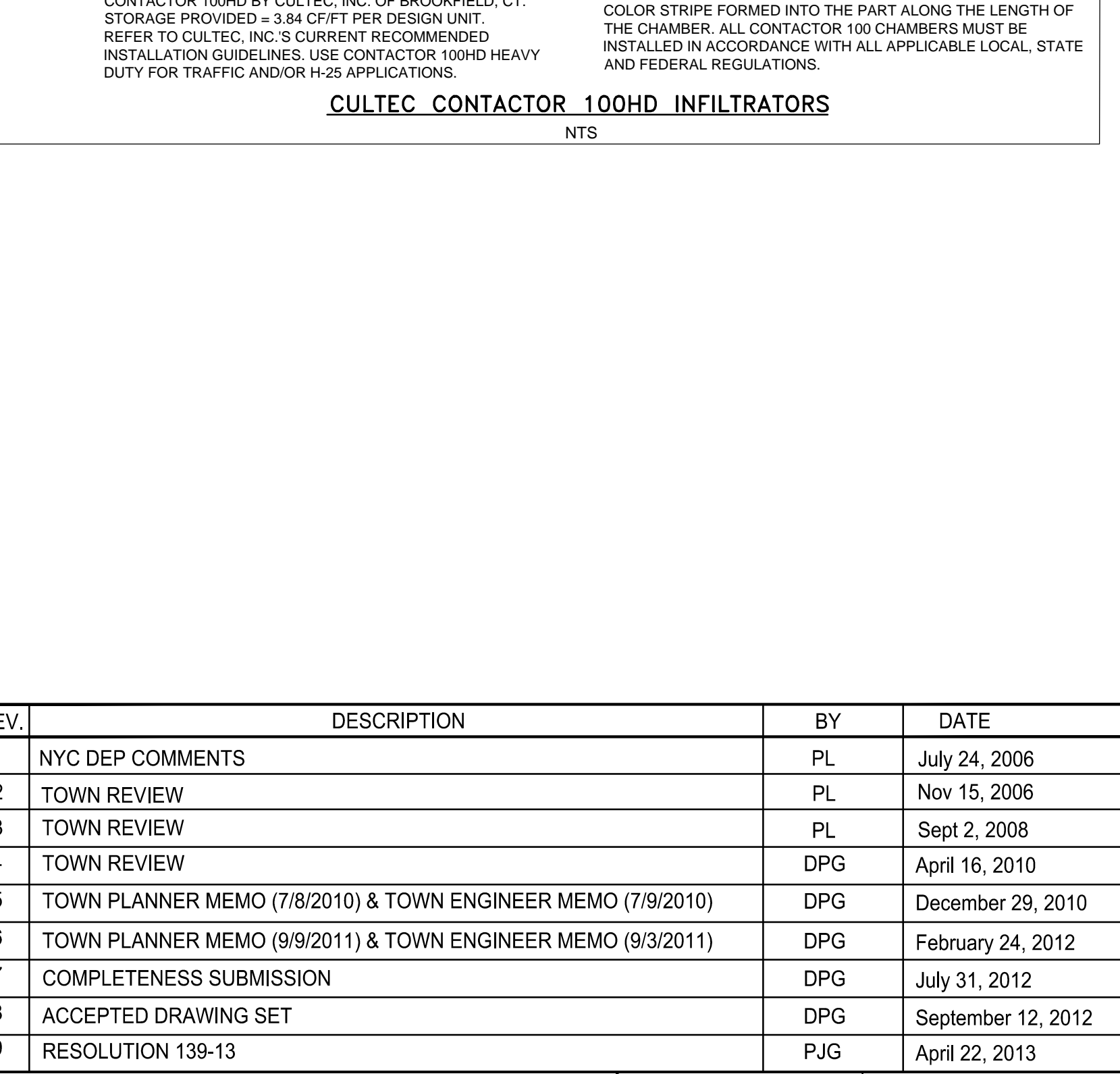
STORMWATER DETAILS



FIRE PROTECTION DETAILS



FIRE PROTECTION DETAILS



ANY DETAIL NOT SPECIFICALLY SHOWN ON THE SITE PLAN WILL BE UTILIZED WHEN FIELD CONDITIONS WARRANT AS DIRECTED BY THE ENVIRONMENTAL MONITOR

UNAUTHORIZED ALTERATIONS OR ADDITIONS TO THIS DRAWING IS A VIOLATION OF SECTION 7209, SUB-DIVISION 2, OF THE NEW YORK STATE EDUCATION LAW.

OWNER/APPLICANT JoFlo Of North Salem Box 20720 Cherokee Station New York, NY 10021-0074 Tel: (212) 988-8253 Fax: (775) 923-2292 Email: JoFlo.north.salem@gmail.com	PLANNING & LANDSCAPE DESIGN TIM MILLER ASSOCIATES, INC. 10 North Street Cold Spring, NY 10516 Tel: (845) 265-4400 www.timillerassociates.com	PROJECT SURVEYOR BUNNEY ASSOCIATES Professional Land Surveyor 301 Fields Lane Brewster, NY 10509 Tel: (845) 277-3404 e-mail: bunney.associates@verizon.net	PROJECT ENGINEER KEANE COPPELLMAN GREGORY ENGINEERS, P.C. 113 Smith Avenue Mount Kisco, NY 10549 Tel: 914.241.2235 e-mail: INFO@KCGENGINEERS.COM
--	--	---	--

REV	DESCRIPTION	BY	DATE
1	NYC DEP COMMENTS	PL	July 24, 2006
2	TOWN REVIEW	PL	Nov 15, 2006
3	TOWN REVIEW	PL	Sept 2, 2008
4	TOWN REVIEW	DPG	April 16, 2010
5	TOWN PLANNER MEMO (7/8/2010) & TOWN ENGINEER MEMO (7/9/2010)	DPG	December 29, 2010
6	TOWN PLANNER MEMO (9/9/2011) & TOWN ENGINEER MEMO (9/3/2011)	DPG	February 24, 2012
7	COMPLETENESS SUBMITTAL	DPG	July 31, 2012
8	ACCEPTED DRAWING SET	DPG	September 12, 2012
9	RESOLUTION 139-13	PJG	April 22, 2013

STORMWATER DETAILS/FIRE PROTECTION DETAILS
 HIGHTAGE - WOODLANDS AT NORTH SALEM
 REED ROAD AND HARDSCAPABLE ROAD
 TOWN OF NORTH SALEM
 COUNTY OF WESTCHESTER
 STATE OF NEW YORK

DRAWN BY: PL CHECKED BY: DC
 SCALE: AS NOTED
 DATE: NOVEMBER 11, 2005
 JOB NUMBER SHEET
 DS-2, 31 OF 31