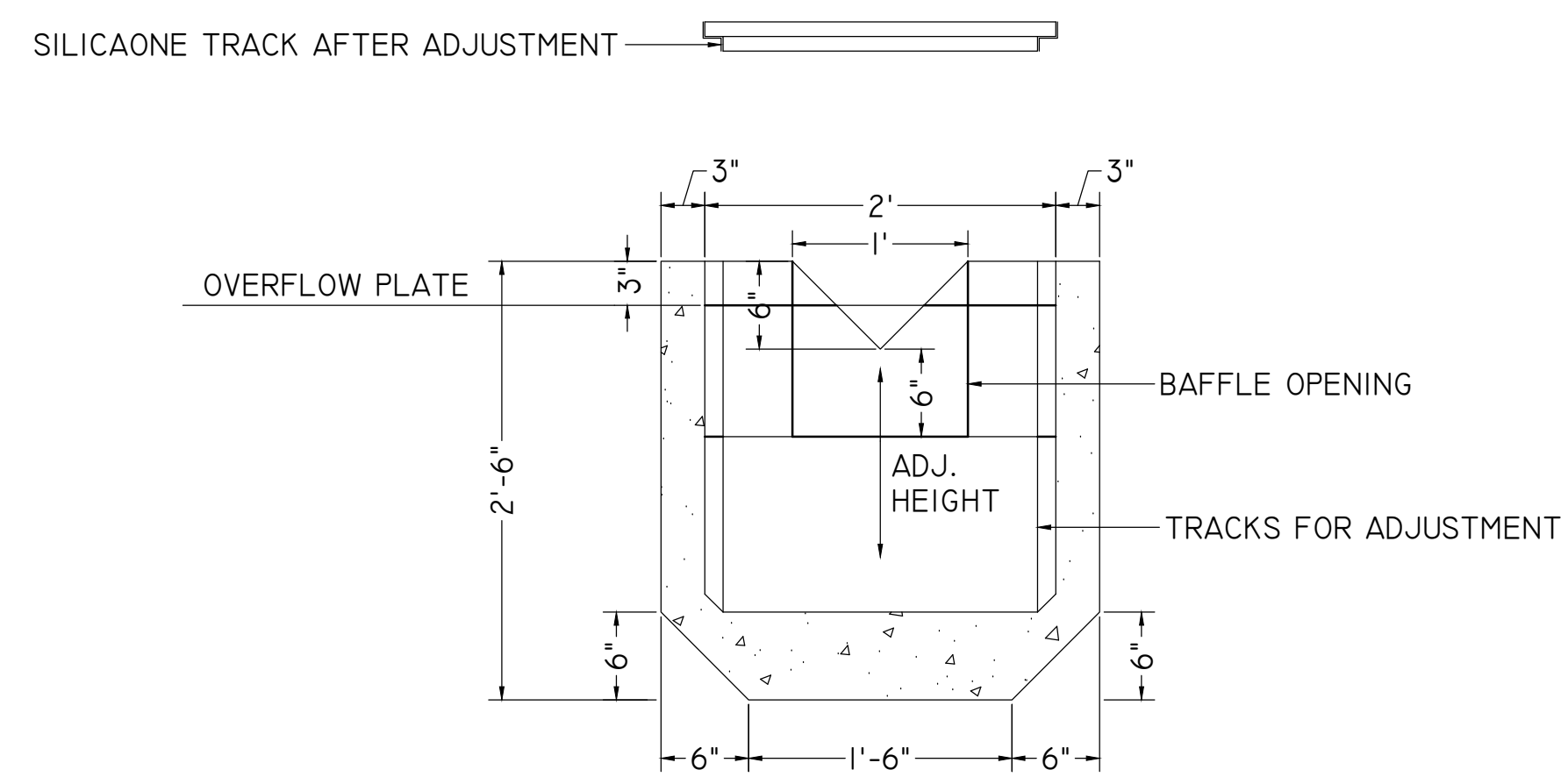
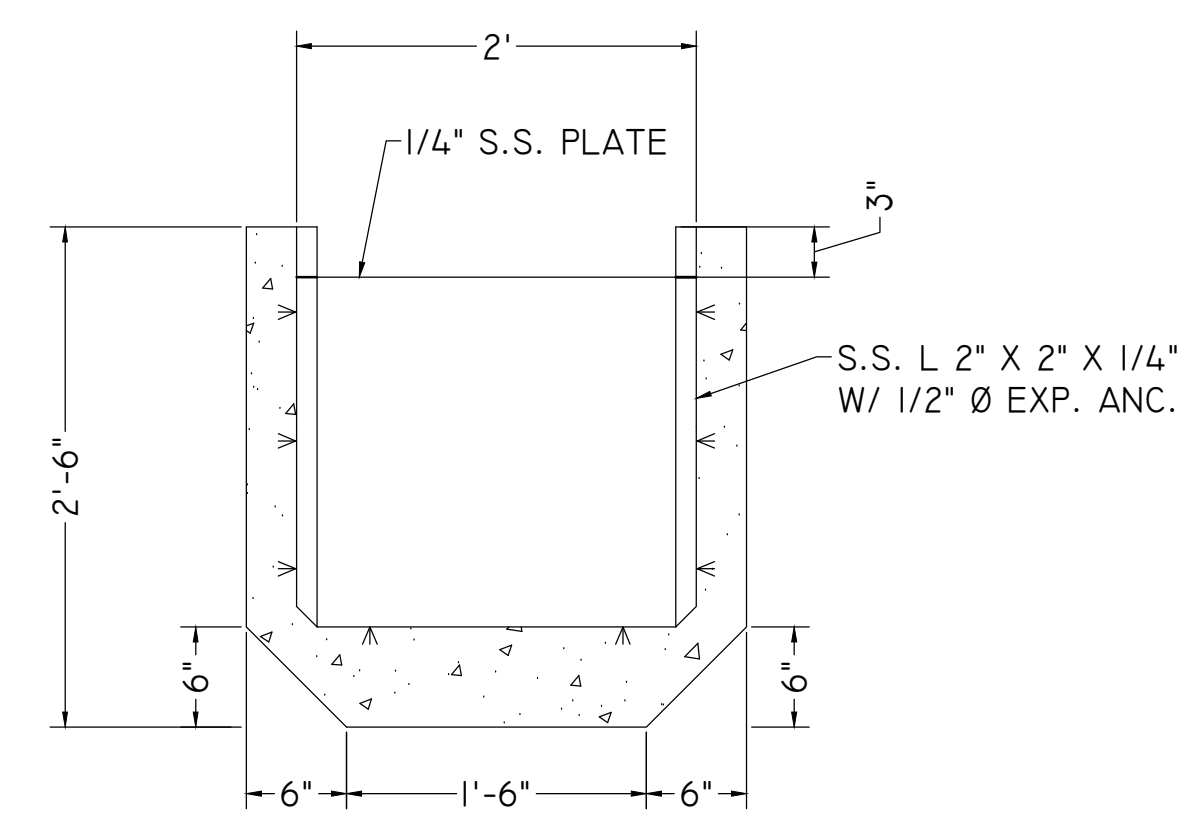


WEIR BOX @ SOLIDS CONTACT CLARIFIER



BAFFLE & WEIR PLATE
SCALE: 1/2" = 1'-0"



OVERFLOW PLATE
SCALE: 1/2" = 1'-0"

UNAUTHORIZED ALTERATIONS OR ADDITIONS TO THIS DRAWING IS A VIOLATION OF SECTION 7209, SUB-DIVISION 2, OF THE NEW YORK STATE EDUCATION LAW.

OWNER / APPLICANT
JoFlo Of North Salem
Box 20720
Cherokee Station
New York, NY 10021-0074
Tel: (212) 988-8253
Fax: (775) 923-2292
Email: JoFlo.north.salem@gmail.com

PLANNING & LANDSCAPE DESIGN
TIM MILLER ASSOCIATES, INC.
10 North Street
Cold Spring, NY 10516
Tel: (845) 265-4400
www.timillerassociates.com

PROJECT SURVEYOR
BUNNEY ASSOCIATES
Professional Land Surveyor
301 Fields Lane
Brewster, NY 10509
Tel: (845) 277-3404
e-mail: bunney.associates@verizon.net

PROJECT ENGINEER
KEANE COPPELMAN GREGORY ENGINEERS, P.C.
113 Smith Avenue
Mount Kisco, NY 10549
Tel: 914.241.2235
e-mail: INFO@KCGENGINEERS.COM

P.E. for Civil Engineering Only

REV.	DESCRIPTION	BY	DATE
1	TOWN PLANNER MEMO (7/8/2010) & TOWN ENGINEER MEMO (7/9/2010)	PL	December 29, 2010
2	TOWN PLANNER MEMO (9/9/2011) & TOWN ENGINEER MEMO (9/3/2011)	DPG	February 24, 2012
3	COMPLETENESS SUBMISSION	DPG	July 31, 2012
4	ACCEPTED DRAWING SET	DPG	September 12, 2012
5	RESOLUTION 139-13	PJG	April 22, 2013

CONSTRUCTION DETAILS (SHEET 2)
WASTEWATER TREATMENT FACILITY
HIGHGATE - WOODLANDS AT NORTH SALEM
REED ROAD AND HARDCRABBLE ROAD
TOWN OF NORTH SALEM
COUNTY OF WESTCHESTER
STATE OF NEW YORK

DRAWN BY: RN
SCALE: AS NOTED
DATE: NOVEMBER 1, 2005
JOB NUMBER SHEET
CHECKED BY: DC
CD-2, VVWTP 14 OF 15