

WALL CONSTRUCTION
 6" NON-CORROSIIVE STUDS @ 16" O.C.
 6" INSULATION R-19
 SHEATHING, BLDG PAPER & SIDING
 WATERPROOF BOARD (2-V2")

OVERFLOW PLATE
 ST. STEEL BAFFLE
 (ADJ. SLIDE)

4" LINE TO PUMP CHAMBER

2-2" P.V.C. PUMP
 DISCHARGE LINES FROM
 EQUALIZATION CHAMBER

HOSE BB 1/2"
 SERVICE

MOTOR BASE

BARN DOORS (2)
 1" x 4" FIR STRIPS ON
 3/4" EXTERIOR PLYWOOD

WIRE-GLASS CONTROL
 PANEL No. 12 EQ LIST

EMERGENCY PANEL
 AUTO TRANSFER SWITCH
 MAIN DISTRIBUTION
 ELECTRIC PANEL

ALUM. STORAGE TANK

RAILING
 6 TREADS @ 10"

PITCH OUT

TO ALUM STORAGE

MODIFIED ALUMINUM LOWER
 SIZE TO BE COORDINATED WITH
 EXISTING CONDITIONS WITH
 CONSULT ENGINEER'S REVIEW
 No. 14 OR EQUIPMENT LIST

FLOW METER
 No. 78 ON EQUIPMENT LIST

8'-0" HIGH CHAIN LINK
 FENCE AS MANUFACTURED BY
 CYCLONE OR APPROVED EQUAL

CONTROL PANEL

EMERGENCY PANEL

EMERGENCY PANEL

EMERGENCY PANEL

EMERGENCY PANEL

EMERGENCY PANEL

EMERGENCY PANEL

EMERGENCY PANEL

EMERGENCY PANEL

EMERGENCY PANEL

EMERGENCY PANEL

EMERGENCY PANEL

EMERGENCY PANEL

EMERGENCY PANEL

EMERGENCY PANEL

EMERGENCY PANEL

EMERGENCY PANEL

EMERGENCY PANEL

EMERGENCY PANEL

EMERGENCY PANEL

EMERGENCY PANEL

EMERGENCY PANEL

EMERGENCY PANEL

EMERGENCY PANEL

EMERGENCY PANEL

EMERGENCY PANEL

EMERGENCY PANEL

EMERGENCY PANEL

EMERGENCY PANEL

EMERGENCY PANEL

EMERGENCY PANEL

EMERGENCY PANEL

EMERGENCY PANEL

EMERGENCY PANEL

EMERGENCY PANEL

EMERGENCY PANEL

EMERGENCY PANEL

EMERGENCY PANEL

EMERGENCY PANEL

EMERGENCY PANEL

EMERGENCY PANEL

EMERGENCY PANEL

EMERGENCY PANEL

EMERGENCY PANEL

EMERGENCY PANEL

EMERGENCY PANEL

EMERGENCY PANEL

EMERGENCY PANEL

EMERGENCY PANEL

EMERGENCY PANEL

EMERGENCY PANEL

EMERGENCY PANEL

EMERGENCY PANEL

EMERGENCY PANEL

EMERGENCY PANEL

EMERGENCY PANEL

EMERGENCY PANEL

EMERGENCY PANEL

EMERGENCY PANEL

EMERGENCY PANEL

EMERGENCY PANEL

EMERGENCY PANEL

EMERGENCY PANEL

EMERGENCY PANEL

EMERGENCY PANEL

EMERGENCY PANEL

EMERGENCY PANEL

EMERGENCY PANEL

EMERGENCY PANEL

EMERGENCY PANEL

EMERGENCY PANEL

EMERGENCY PANEL

EMERGENCY PANEL

EMERGENCY PANEL

EMERGENCY PANEL

EMERGENCY PANEL

EMERGENCY PANEL

EMERGENCY PANEL

EMERGENCY PANEL

EMERGENCY PANEL

EMERGENCY PANEL

EMERGENCY PANEL

EMERGENCY PANEL

EMERGENCY PANEL

EMERGENCY PANEL

EMERGENCY PANEL

EMERGENCY PANEL

EMERGENCY PANEL

EMERGENCY PANEL

EMERGENCY PANEL

EMERGENCY PANEL

EMERGENCY PANEL

EMERGENCY PANEL

EMERGENCY PANEL

EMERGENCY PANEL

EMERGENCY PANEL

EMERGENCY PANEL

EMERGENCY PANEL

EMERGENCY PANEL

EMERGENCY PANEL

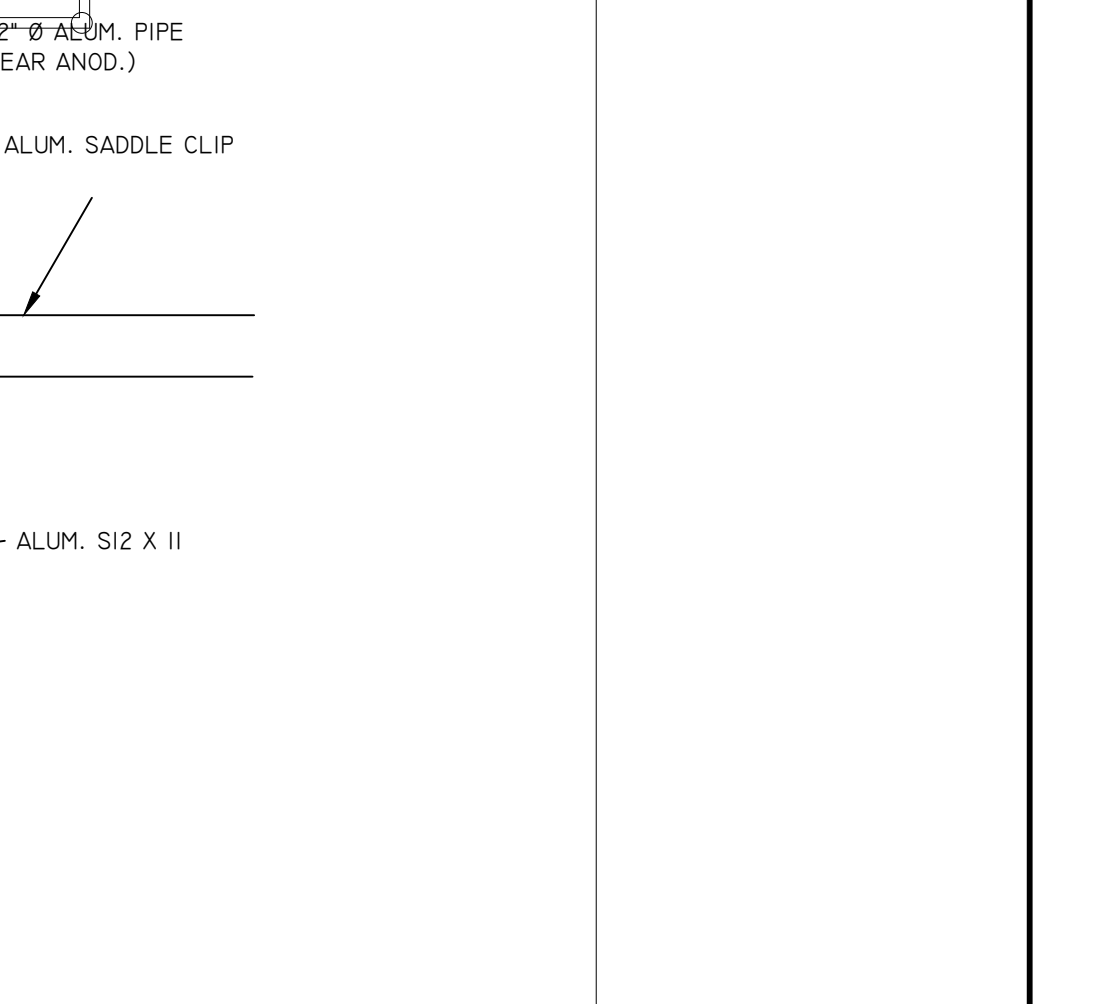
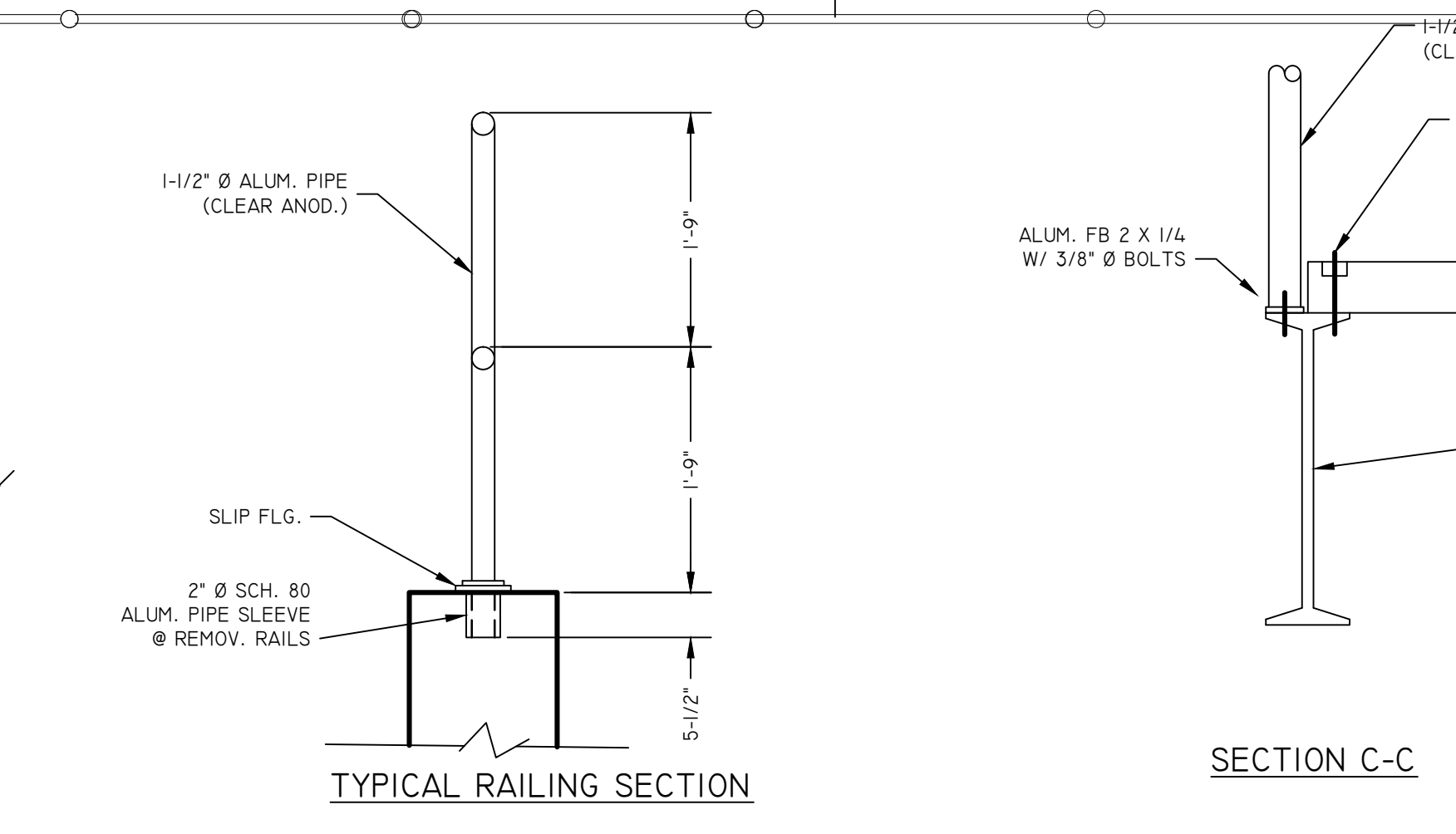
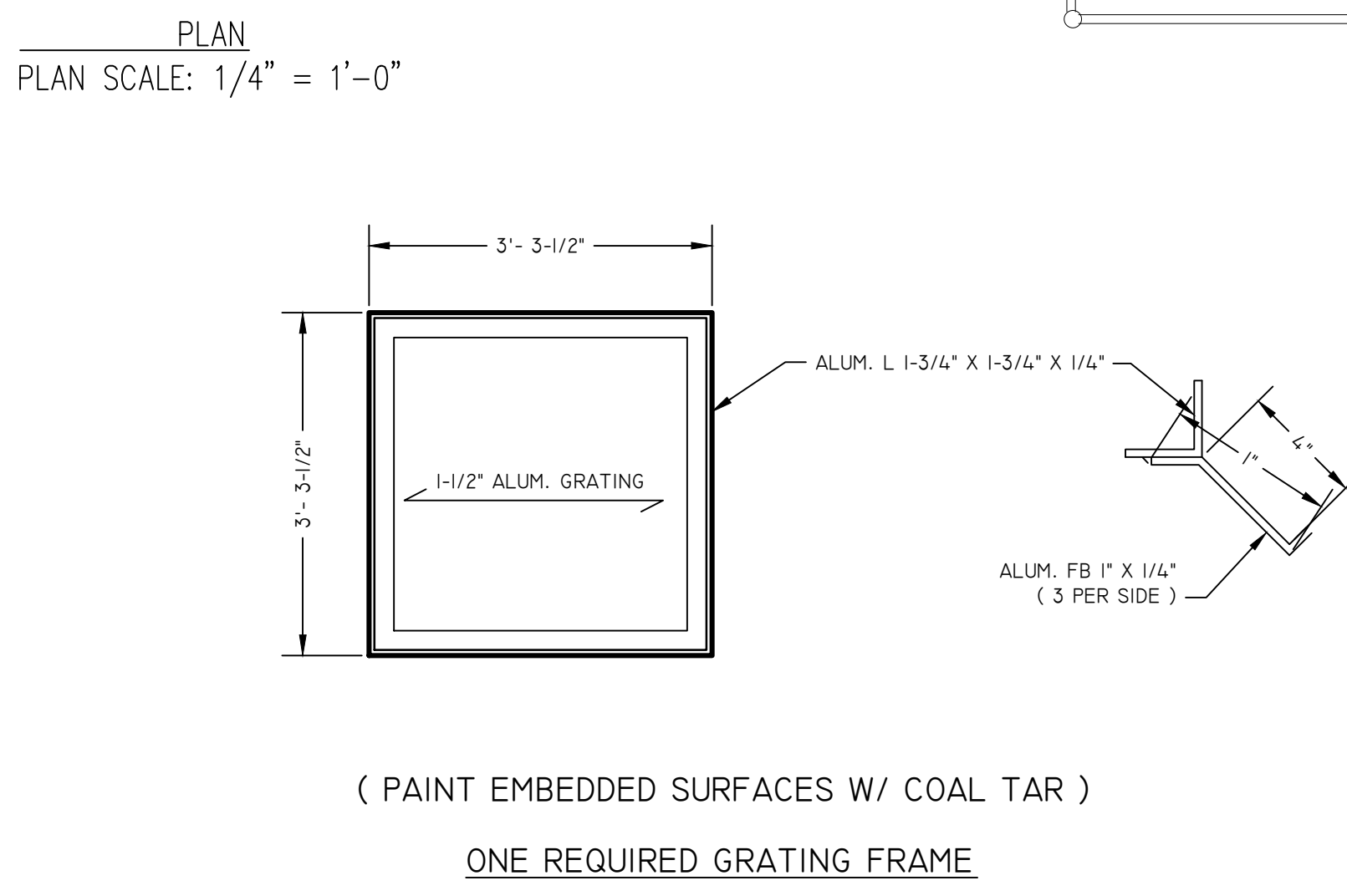
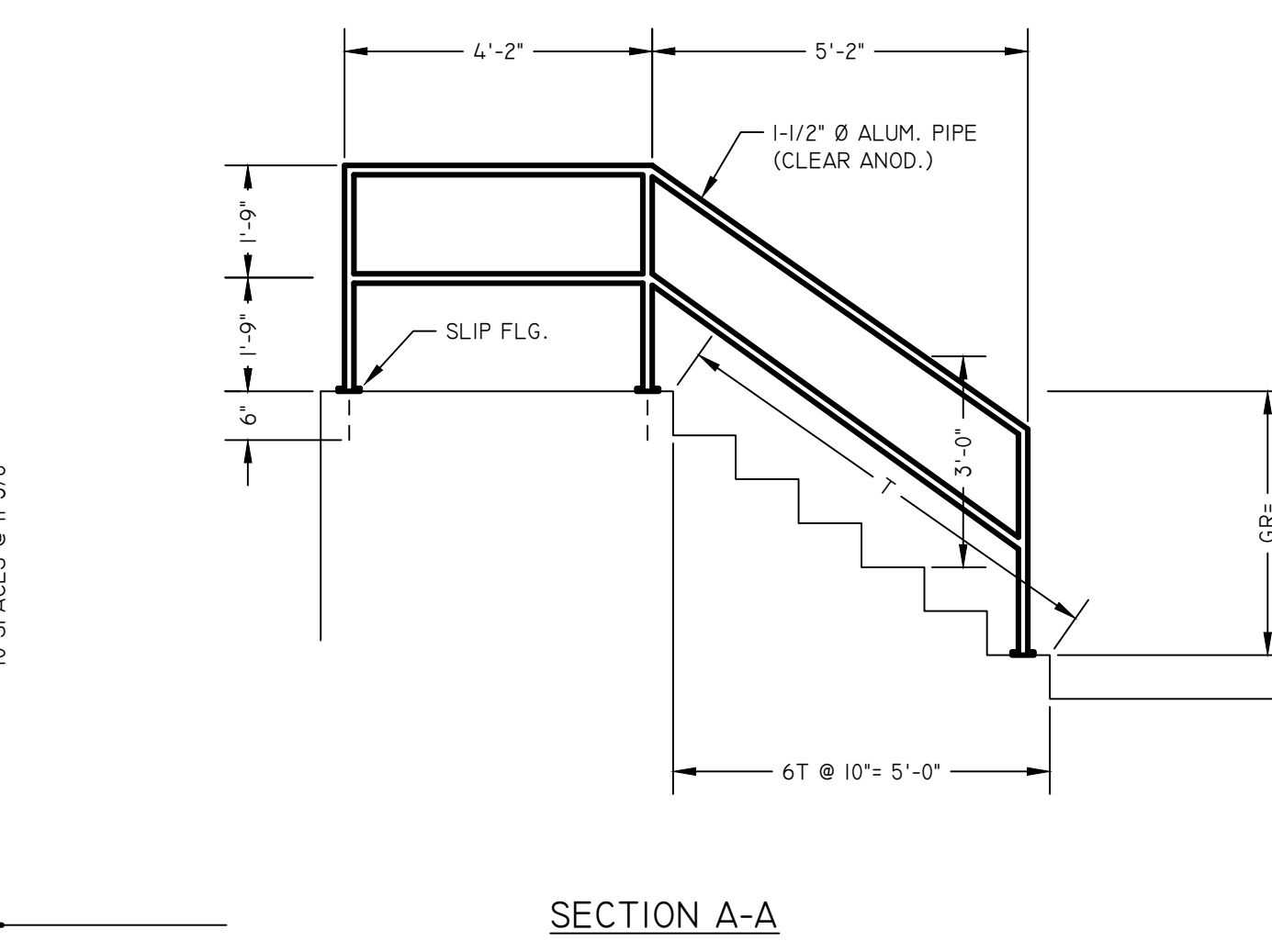
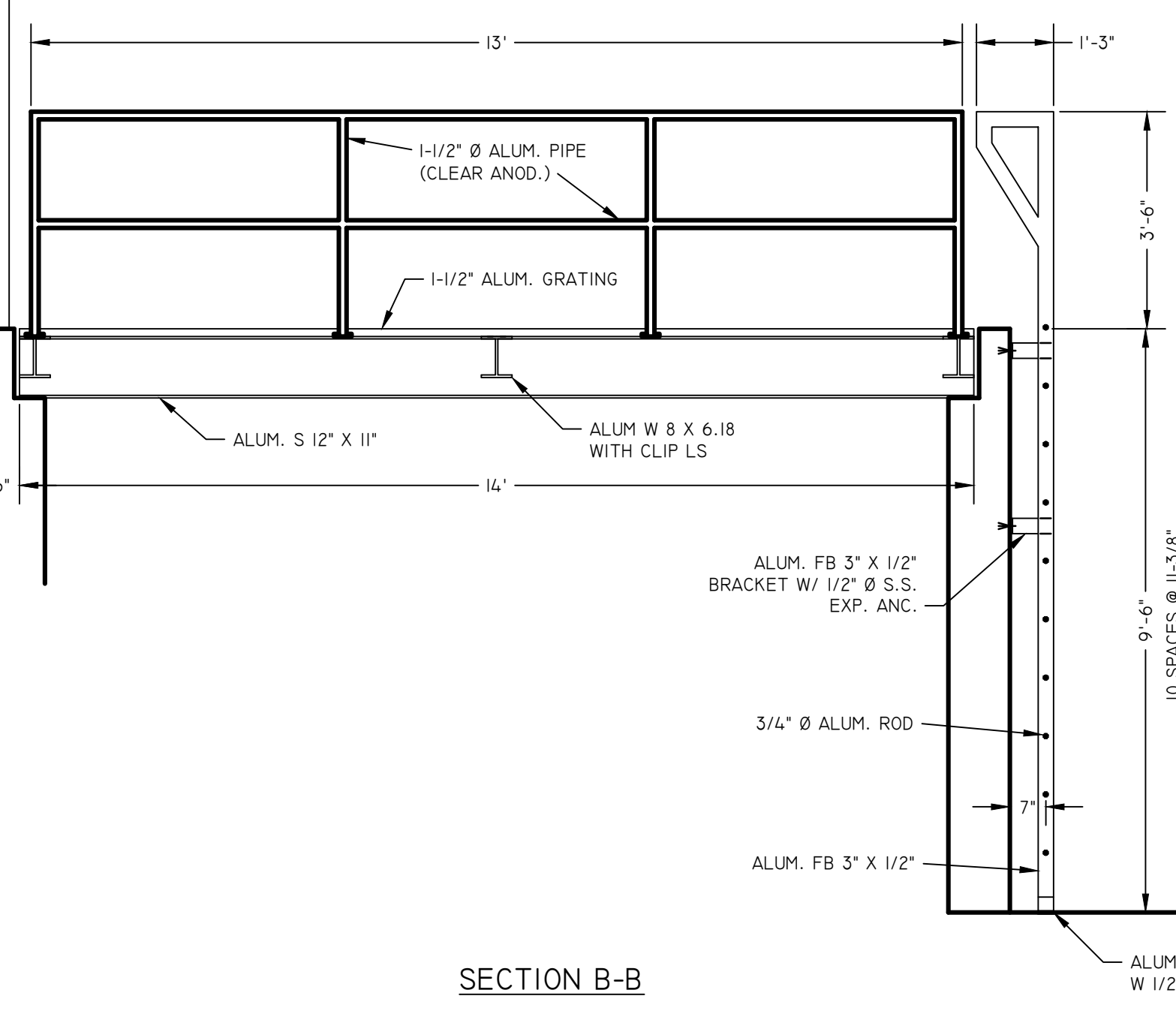
EMERGENCY PANEL

EMERGENCY PANEL

EMERGENCY PANEL

EMERGENCY PANEL

EMERGENCY PANEL



REV	DESCRIPTION	BY	DATE
1	TOWN PLANNER MEMO (7/8/2010) & TOWN ENGINEER MEMO (7/9/2010)	PL	December 29, 2010
2	TOWN PLANNER MEMO (9/9/2011) & TOWN ENGINEER MEMO (9/3/2011)	DPG	February 24, 2012
3	COMPLETENESS SUBMISSION	DPG	July 31, 2012
4	ACCEPTED DRAWING SET	DPG	September 12, 2012
5	RESOLUTION 138-13	PJG	April 22, 2013

UNAUTHORIZED ALTERATIONS OR ADDITIONS TO THIS
 DRAWING IS A VIOLATION OF SECTION 7209,
 SUB-DIVISION 2, OF THE NEW YORK STATE
 EDUCATION LAW.

OWNER / APPLICANT
 JoFlo of North Salem
 Box 20720
 Cherokee Station
 New York, NY 10021-0074
 Tel: (212) 988-8253
 Fax: (775) 923-2292
 Email: JoFlo@north.salem@gmail.com

PLANNING & LANDSCAPE DESIGN
 TIM MILLER ASSOCIATES, INC.
 10 North Street
 Cold Spring, NY 10516
 Tel: (845) 265-4400
 www.timillerassociates.com

PROJECT SURVEYOR
 BUNNEY ASSOCIATES
 Professional Land Surveyor
 301 Fields Lane
 Brewster, NY 10509
 Tel: (845) 277-3404
 e-mail: bunney.associates@verizon.net

PROJECT ENGINEER
 KEANE COPPELMAN GREGORY ENGINEERS, P.C.
 113 Smith Avenue
 Mount Kisco, NY 10549
 Tel: 914.241.2235
 e-mail: INFO@KCGENGINEERS.COM

CONSTRUCTION DETAILS (SHEET 3)
 WASTEWATER TREATMENT FACILITY
 HIGHGATE - WOODLANDS AT NORTH SALEM
 REED ROAD AND HARDSCRABBLE ROAD
 TOWN OF NORTH SALEM
 COUNTY OF WESTCHESTER
 STATE OF NEW YORK

DRAWN BY: RN
 SCALE: AS NOTED
 DATE: NOVEMBER 1, 2005
 JOB NUMBER: SHEET
 CHECKED BY: DC
 CD-3, WWP15 10F 15

P.E. for Civil Engineering Only