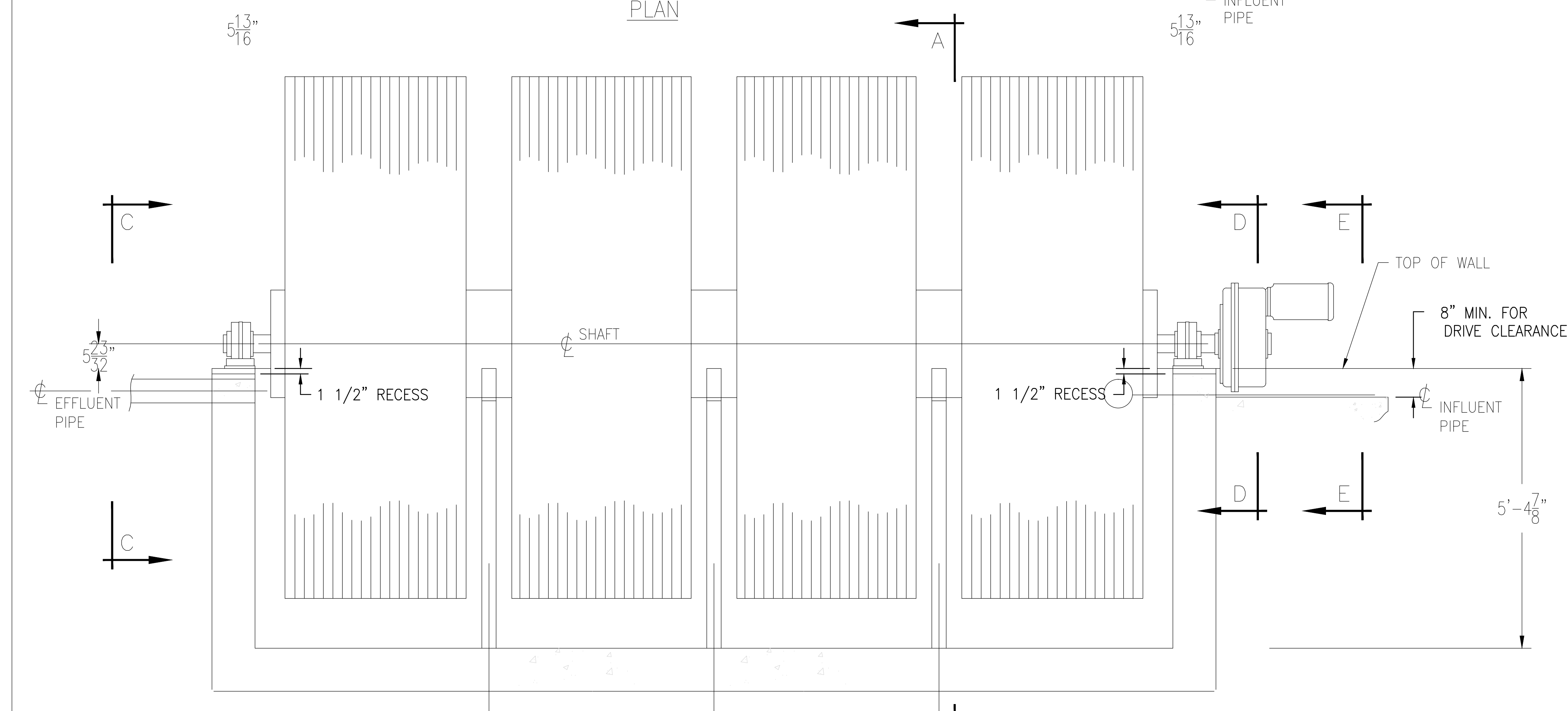
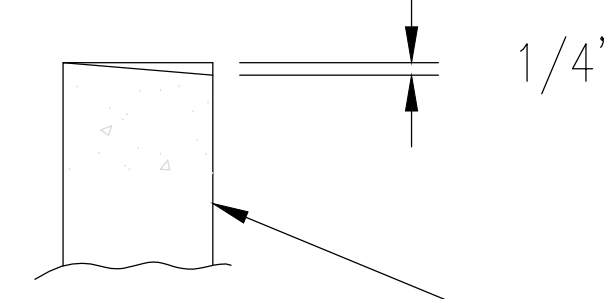


PLAN



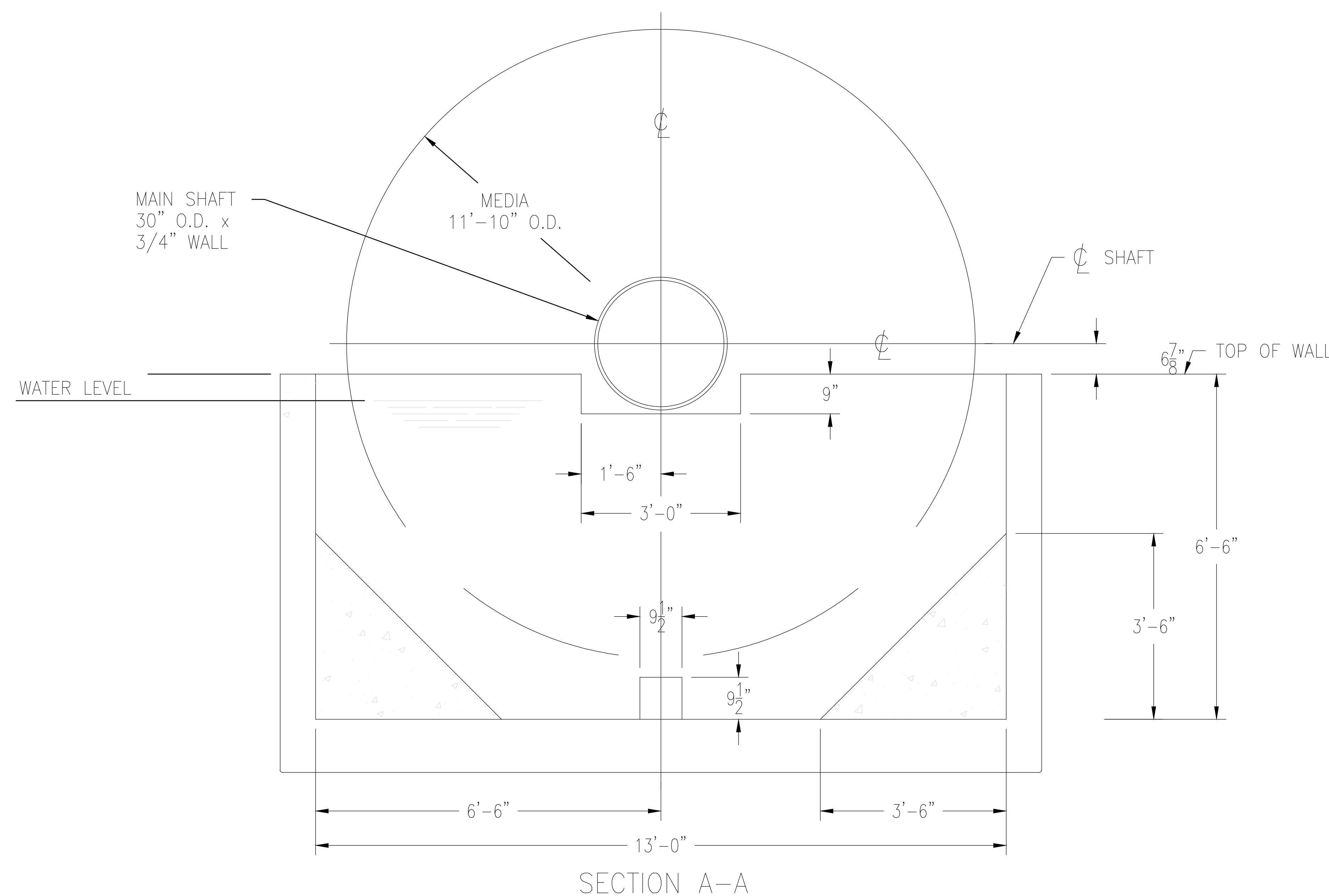
ELEVATION

SEE VIEW D-D FOR DRIVE END ARRANGEMENT



SECTION B-B

PITCH TOP OF TANK 1/4" ALL AROUND AS SHOWN TO CURB SPLASHING EFFECTS. (AREA UNDER BEARING BASE PLATES MUST BE LEVEL.)



SECTION A-A

REV.	DESCRIPTION	BY	DATE
1	TOWN PLANNER MEMO (7/8/2010) & TOWN ENGINEER MEMO (7/9/2010)	PL	December 29, 2010
2	TOWN PLANNER MEMO (9/9/2011) & TOWN ENGINEER MEMO (9/3/2011)	DPG	February 24, 2012
3	COMPLETENESS SUBMISSION	DPG	July 31, 2012
4	ACCEPTED DRAWING SET	DPG	September 12, 2012
5	RESOLUTION 139-13	PJG	April 22, 2013

UNAUTHORIZED ALTERATIONS OR ADDITIONS TO THIS DRAWING IS A VIOLATION OF SECTION 7209, SUB-DIVISION 2, OF THE NEW YORK STATE EDUCATION LAW.

OWNER / APPLICANT
 JoFlo Of North Salem
 Box 20720
 Cherokee Station
 New York, NY 10021-0074
 Tel: (212) 988-8253
 Fax: (775) 923-2292
 Email: JoFlo.north.salem@gmail.com

PLANNING & LANDSCAPE DESIGN
 TIM MILLER ASSOCIATES, INC.
 10 North Street
 Cold Spring, NY 10516
 Tel: (845) 265-4400
 www.timillerassociates.com

PROJECT SURVEYOR
 BUNNEY ASSOCIATES
 Professional Land Surveyor
 301 Fields Lane
 Brewster, NY 10509
 Tel: (845) 277-3404
 e-mail: bunney.associates@verizon.net

PROJECT ENGINEER
 KEANE COPPELMAN GREGORY ENGINEERS, P.C.
 113 Smith Avenue
 Mount Kisco, NY 10549
 Tel: 914.241.2235
 e-mail: INFO@KCGENGINEERS.COM

P.E. for Civil Engineering Only

ROTATING BIOLOGICAL CONTACTOR
 WASTEWATER TREATMENT FACILITY
 HIGHGATE - WOODLANDS AT NORTH SALEM
 REED ROAD AND HARDCRABBLE ROAD
 TOWN OF NORTH SALEM
 COUNTY OF WESTCHESTER
 STATE OF NEW YORK

DRAWN BY: RN
 SCALE: AS NOTED
 DATE: NOVEMBER 1, 2005
 JOB NUMBER: SHEET
 RB-1, WWTP 8 OF 15

CHECKED BY: DC