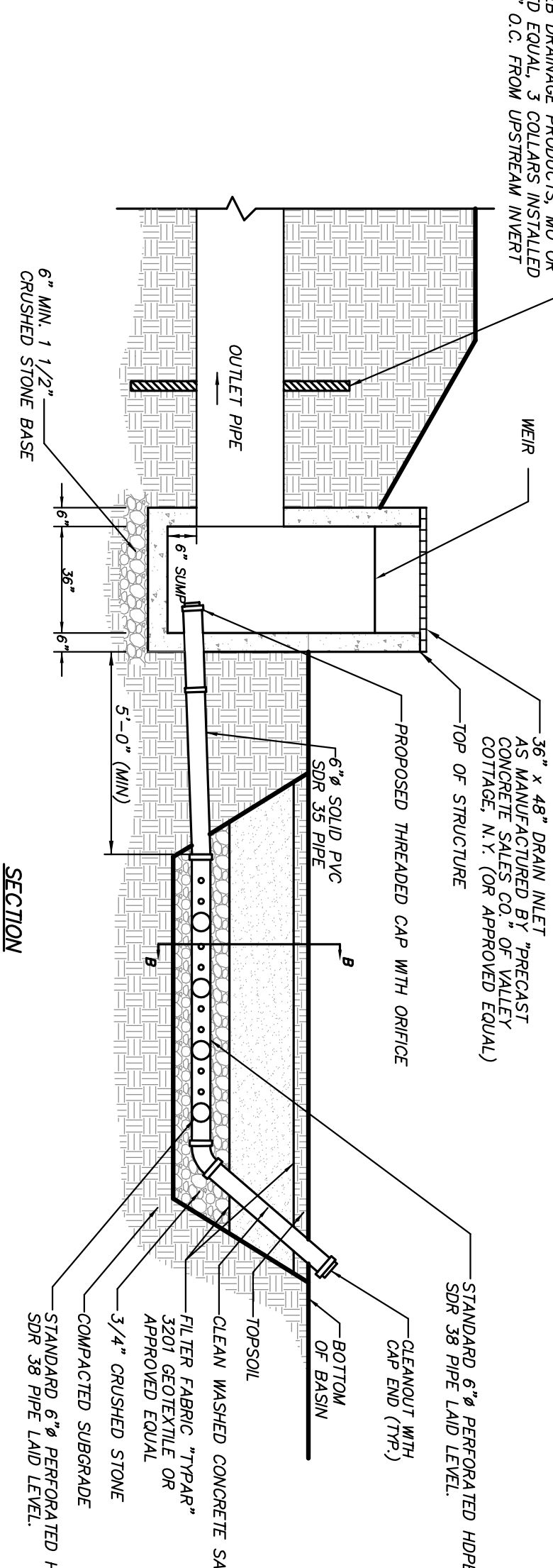
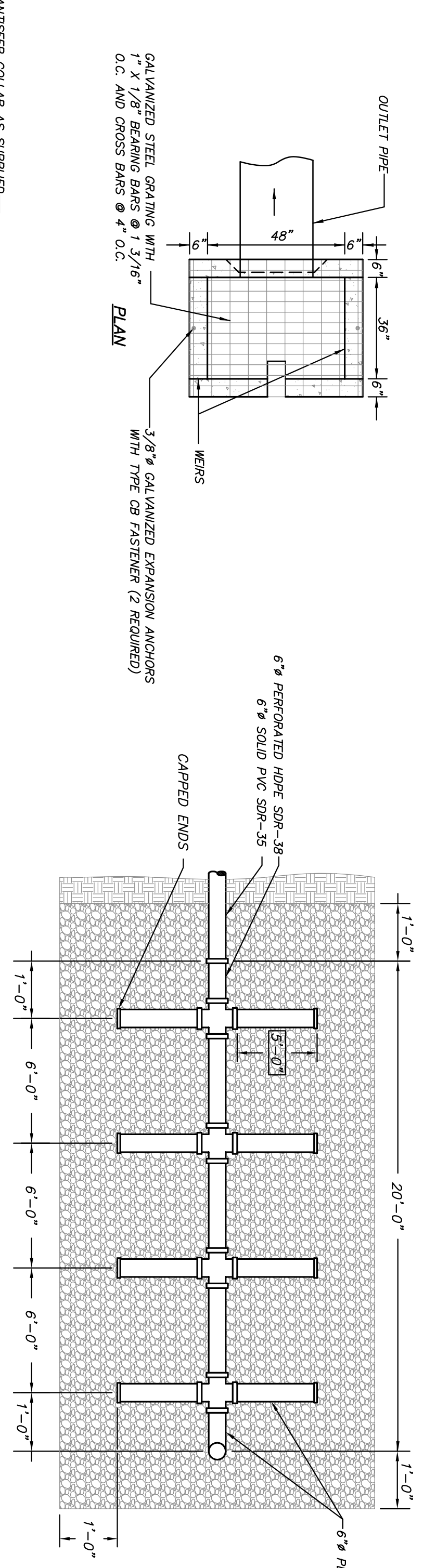
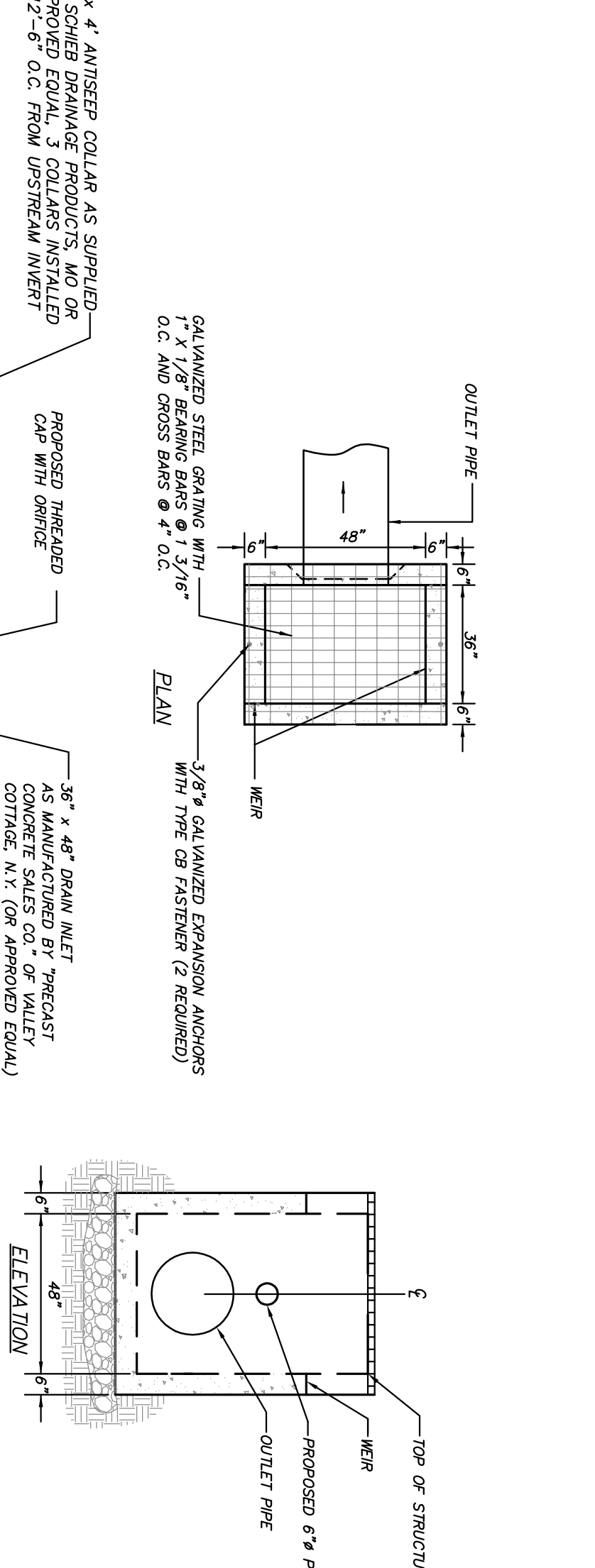


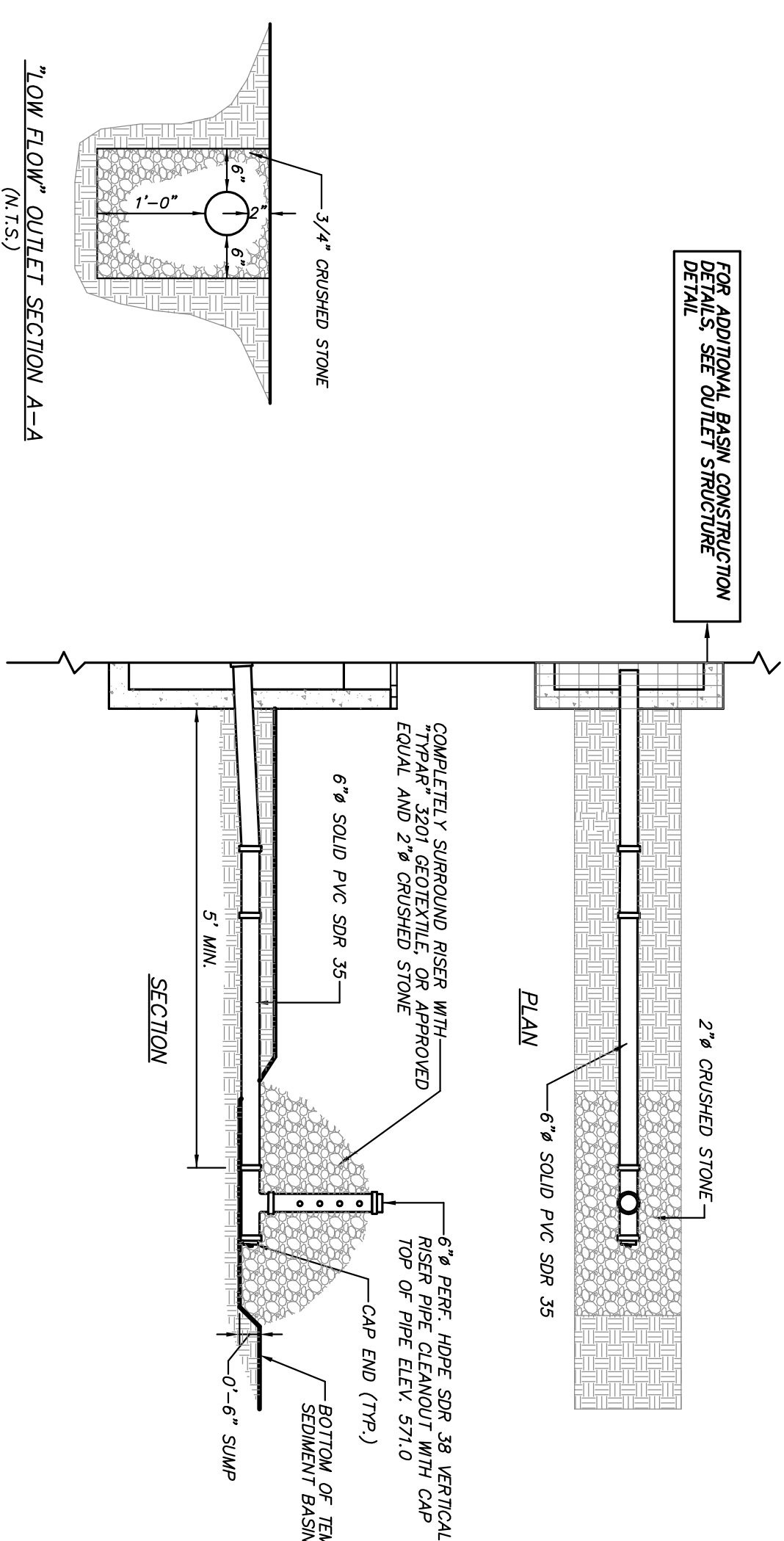
EXTENDED DETENTION DRY STORMWATER BASIN, LOW FLOW OUTLET AND OUTLET STRUCTURE DETAIL (N.T.S.)



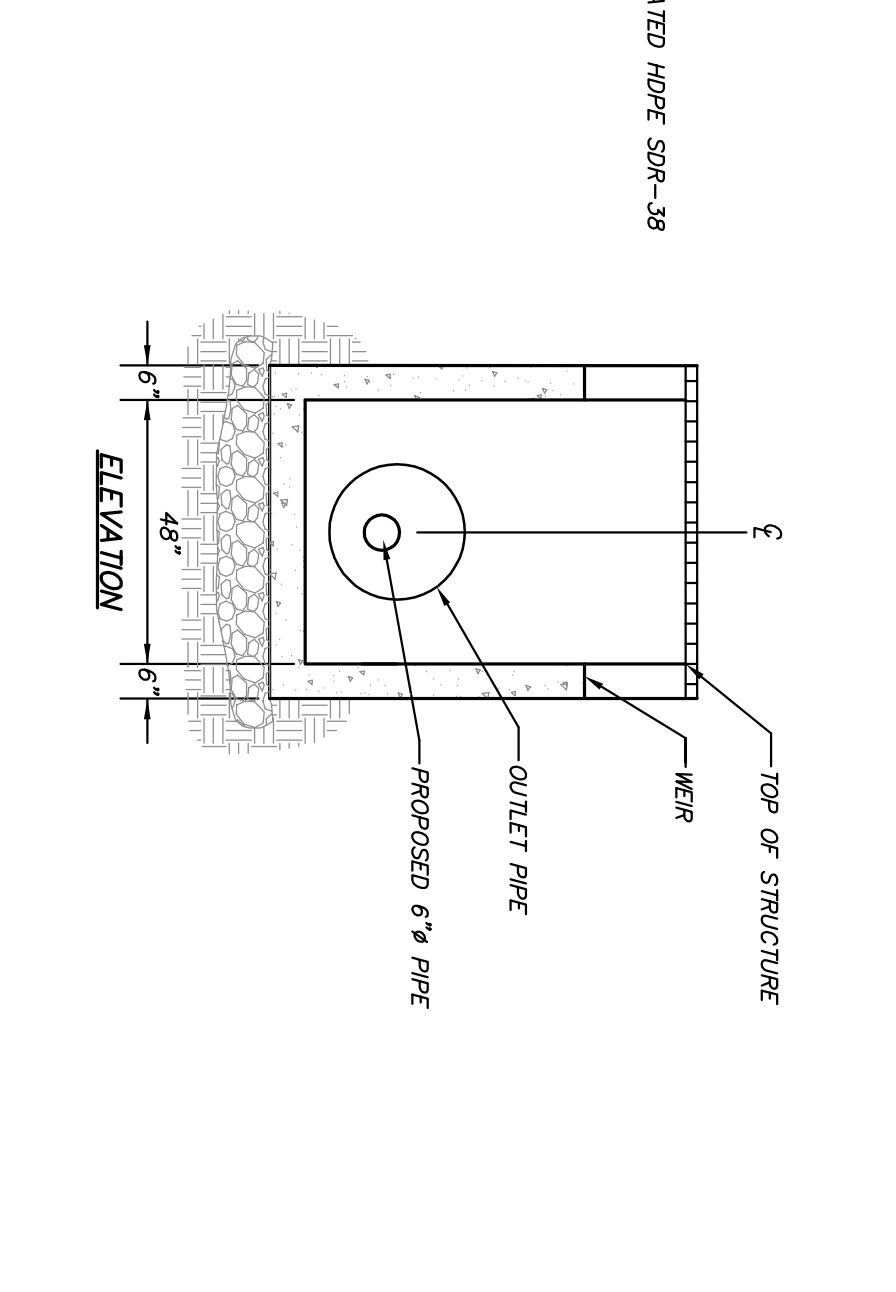
NOTE: SAND FILTER TO BE INSTALLED WHEN STORMWATER BASIN IS CONVERTED FROM THE TEMPORARY TO THE PERMANENT CONDITION
SURFACE SAND FILTER (-1) OUTLET AND OUTLET STRUCTURE DETAIL (N.T.S.)



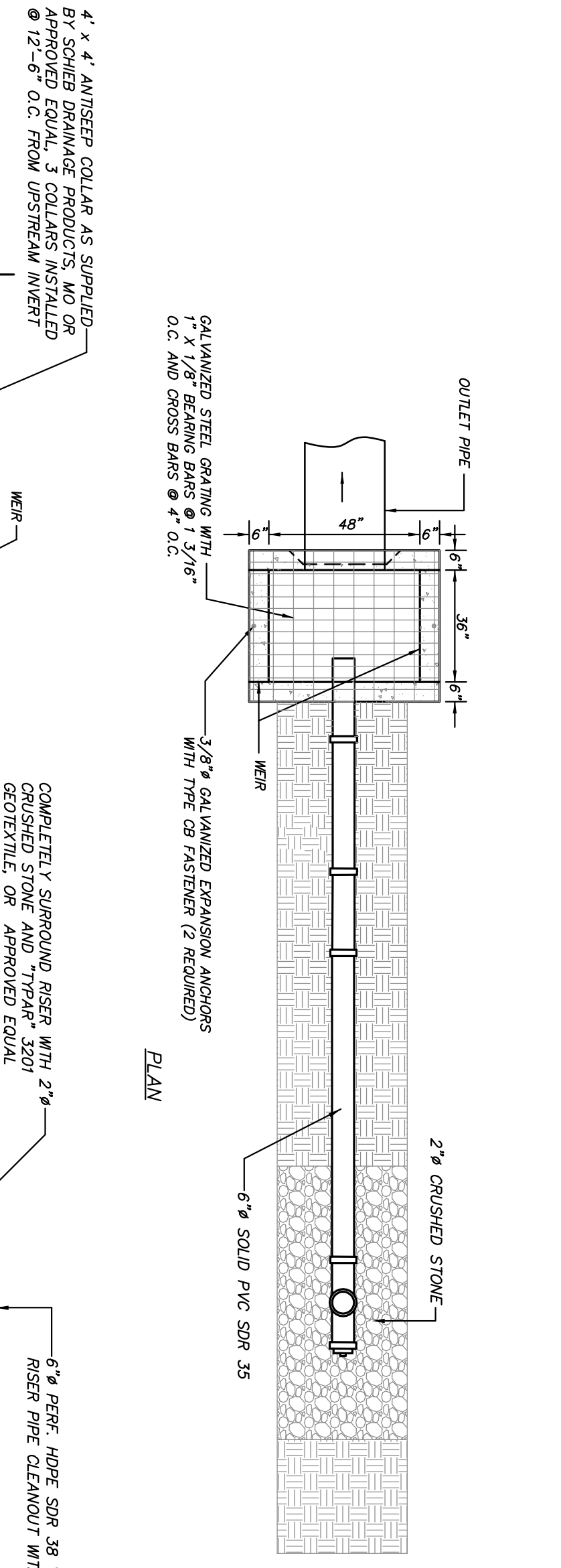
POCKET POND (-5) OUTLET AND OUTLET STRUCTURE DETAIL (N.T.S.)



TEMPORARY SEDIMENT BASIN OUTLET STRUCTURE DETAIL (N.T.S.)



POCKET POND (-5) TEMPORARY SEDIMENT BASIN OUTLET & OUTLET STRUCTURE DETAIL (N.T.S.)



POCKET POND (-5) TEMPORARY SEDIMENT BASIN OUTLET & OUTLET STRUCTURE DETAIL (N.T.S.)

REVISIONS:
 1 3-24-08 REVISED PER DRS COMMENTS
 DATE
 PROJECT 01124.100 PROJECT ENGINEER J.L.C. SHEET 19
 DATE 8-31-05 DRAWN BY Z.M.P. CHECKED BY
 SCALE AS SHOWN 8"

INSITE
 ENGINEERING, SURVEYING &
 LANDSCAPE ARCHITECTURE, P.C.
 3 General Place
 GaitHERS, NY 10822
 (914) 235-9717 fax
 www.insite-nyc.com

PROJECT: PATTERSON CROSSING
 RETAIL CENTER
 1412 ROUTE 311, TOWNSHIP OF PATTERSON & BORDEN, FULTON COUNTY, NEW YORK
 DRAWING: SITE DETAILS

NO.	DATE	REVISION	RCS
1	3-24-08	REVISED PER DRS COMMENTS	RCS