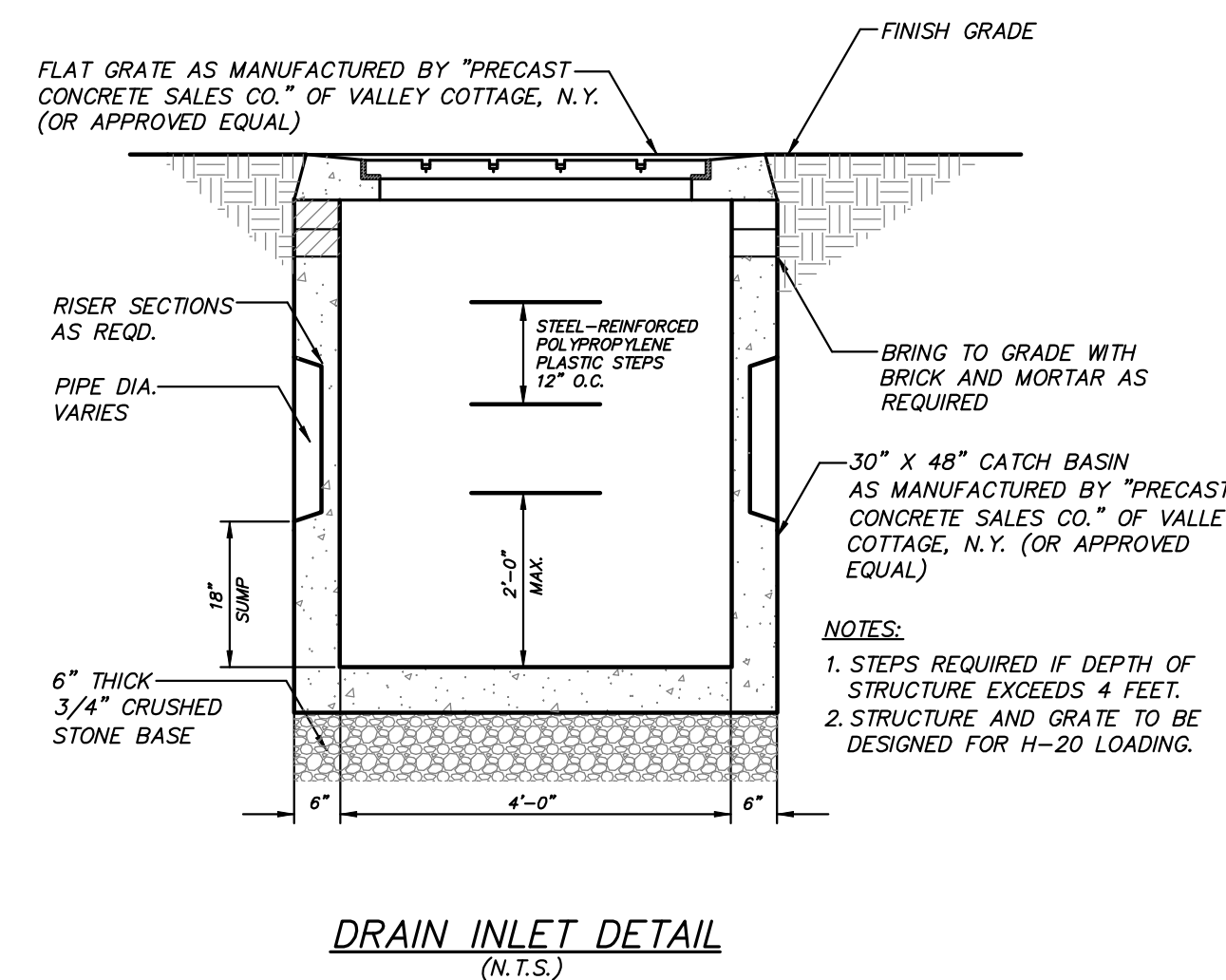
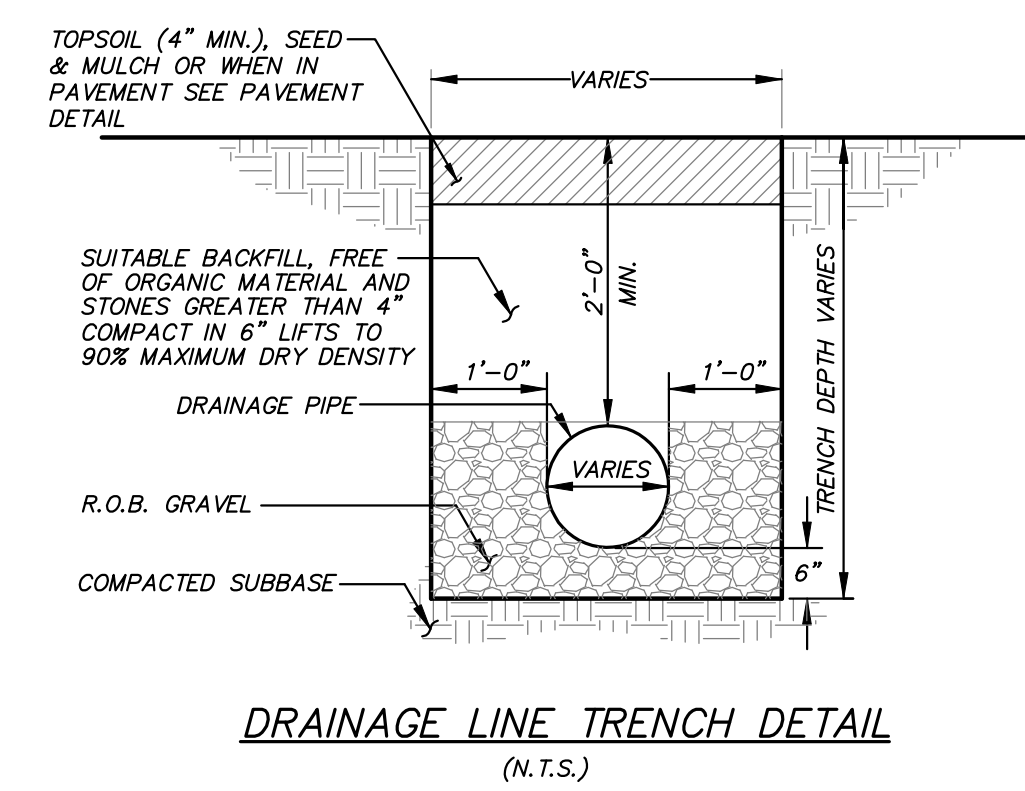
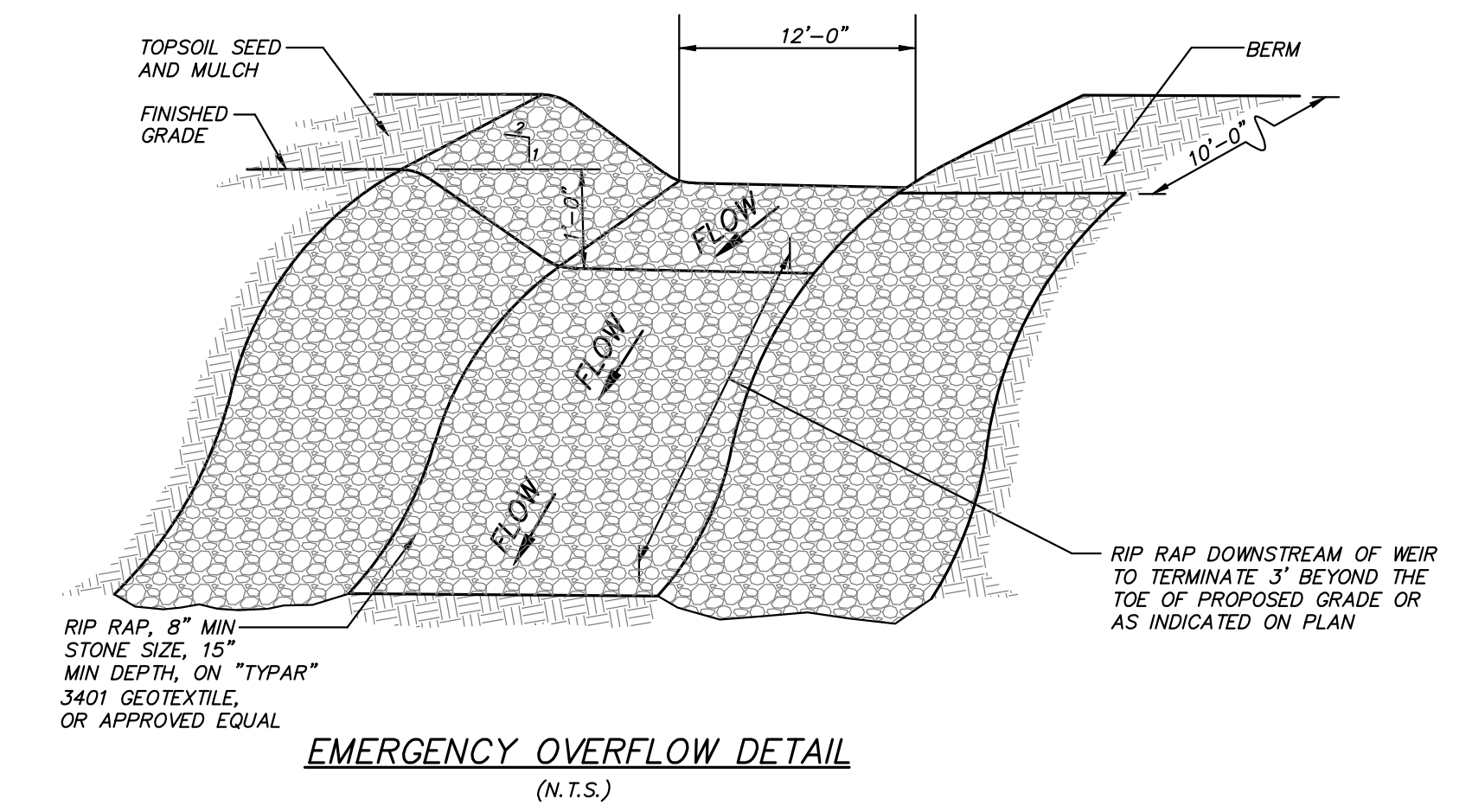
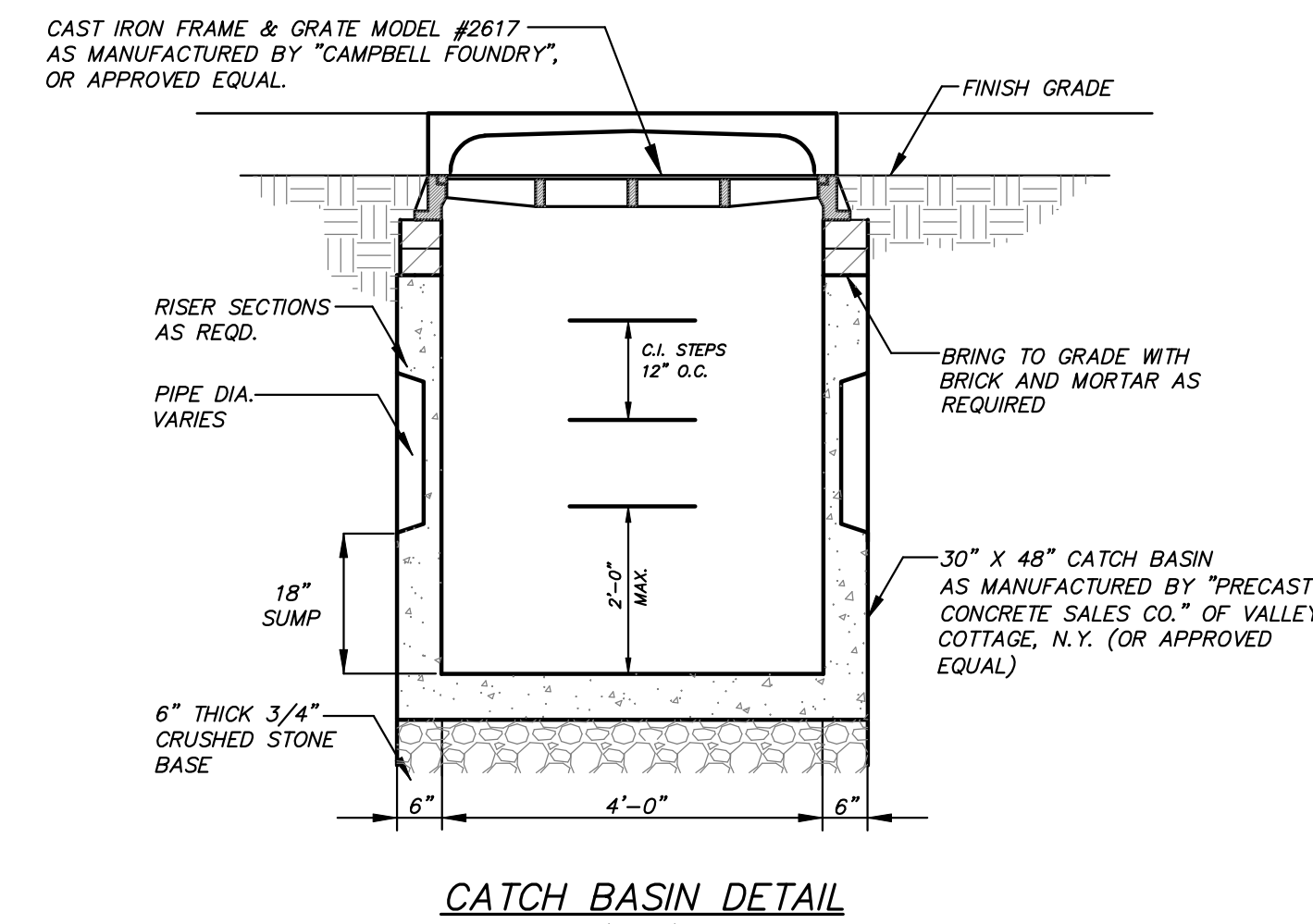


END SECTION DETAIL
(N.T.S.)



NO.	DATE	REVISION	BY
 INSITE ENGINEERING, SURVEYING & LANDSCAPE ARCHITECTURE, P.C.			
PROJECT: UNION PLACE ROUTE 6 & BALDWIN PLACE ROAD, TOWN OF CARMEL, PUTNAM COUNTY, NEW YORK			
DRAWING: SITE DETAILS			
PROJECT NO.	02119.100	PROJECT MANAGER	J.J.C.
DATE	06-18-10	DRAWN BY	K.M.W.
SCALE	AS SHOWN	CHECKED BY	R.D.W.
DRAWING NO.	SHEET		29
D-2			32